

# HELI

## OPL10 OPL12 Electric Low Level Order Picker

### Characteristics

- Max. lifting height of platform is 1.2M. It is very convenient to pick up goods. The capacity of storage compartment in front of the operator is 60kg.
  - Advanced electronic steering system (EPS) handle ensures effortless and highly efficient maneuverability.
  - Ergonomic human engineering design provides the convenience and comfort operation.
  - Combining of regenerative brake and electromagnetic brake provide safe and reliable brake.
  - Side-way battery designs is very convenient for maintenance and replacement.
  - The USB charge device on the control panel which could charge the phone, pad and so on.
  - Advanced AC control with reliable performance is adopted on the truck.
- 
- Small turning radius and stepless speed control ensure the trucks can be used in narrow workplace.
  - With reasonable layout of the key components, it is convenient to maintain.

AC / EPS



USB charge device (closed)



USB charge device (open)



Germany Frei Handle

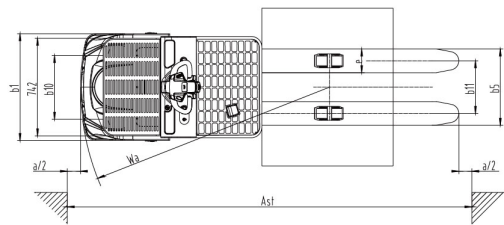
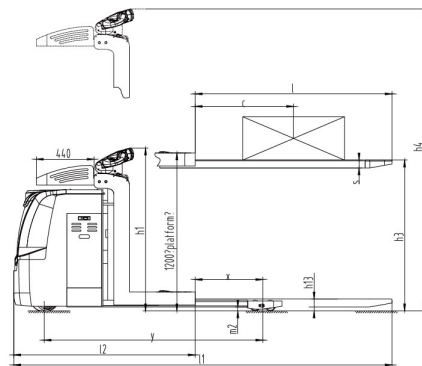
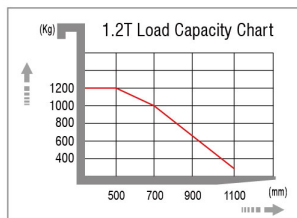
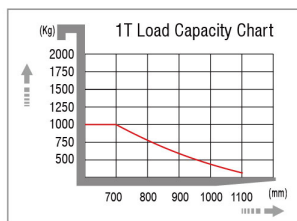


Large metal storage tray for small material storage within 60kg.

# OPL10 OPL12

## Manufacturer's Data and Technical Characteristics

Characteristics					
1.01	Manufacturer			HELI	
1.02	Model			OPL10	OPL12
1.03	Drive mode			Electric	
1.04	Driving mode			Stand-on	
1.05	Load capacity	Q	kg	1000	1200
1.06	Load center distance	C	mm	700	500
1.07	Track	Y	mm	1665	1665
Tyre					
2.01	Tyre type			Polyurethane	
2.02	Wheels number,Front/rear(X=driven wheels)			1x+1/4	1x+1/4
2.03	Track Width,front	b10	mm	502	502
2.04	Track Width,rear	b11	mm	400	400
2.05	Wheel size, front		mm	φ250×80	φ250×80
2.06	Wheel size, rear		mm	φ80×84	φ80×84
Dimension					
3.01	Height, mast lowered	h1	mm	1275	1275
3.02	Lift height	h3	mm	1140	1140
3.03	Height, mast extended	h4	mm	2335	2335
3.05	Height, fork lowered	h13	mm	90	90
3.06	Overall length	l1	mm	2885	2535
3.07	Length to shank of forks	l2	mm	1383	1383
3.08	Overall width	b1	mm	812	812
3.09	Fork size	s/e/l	mm	60×180×1500	60×180×1150
3.10	Width across forks	b5	mm	580	580
3.11	Underground clearance at center of wheel base	m2	mm	29	29
3.12	Aisle width with pallet 1000x1200 (1200 refers to the pallet width across the fork)	Ast	mm	2904	2904
3.13	Aisle width with pallet 800x1200 (800 refers to the pallet width along the fork)	Ast	mm	2904	2904
3.14	Turning radius	Wa	mm	1897	1897
Performance					
4.01	Travelling speed,laden/unladen		km/h	7/7.1	7/7.1
4.02	Lifting speed,laden/unladen		m/s	0.1/0.14	0.1/0.14
4.03	Lowering speed,laden/unladen		m/s	0.1/0.1	0.1/0.1
4.04	Gradeability,laden/unladen		%	8/15	8/15
Electrical configuration					
5.01	Drive moter power		kw	1.5	1.5
5.02	Lifting moter power		kw	2.2	2.2
5.04	Battery capacity		V/Ah	24/240	24/240
5.05	Battery dimensions l/w/h		mm	654x440x254	654x440x254
5.06	Controller			CURTIS	CURTIS
5.07	Brake			Electromagnetic brake	Electromagnetic brake
Weight					
6.01	Total weight(with battery)		kg	1195	1195



Design&Print:Fokeli Printing 20200818



**HELI CANADA**  
 5705, place Kubota  
 Drummondville (Qc)  
 Canada, J2B 6V4  
 1-833-HELICAN  
 info@heliforklift.ca  
 heliforklift.ca



Our products are subject to improvements and changes without notice.