

48V ELECTRIC PNEUMATIC



ELECTRIFY YOUR PERFORMANCE

- ▶ High Performance & Visibility
- ▶ Easy Driver Interface
- ▶ 1,000 Hours Service Intervals
- ▶ 3,000-4,000 Lb. Capacity
- ▶ Wet Disc Brakes
- ▶ Automatic Parking Brake



8FBMK16-20T

CLASS

1

ELECTRIC MOTOR RIDERS

ToyotaForklift.com

THE TOYOTA 48V ELECTRIC PNEUMATIC

UP TO
4,000 LB.
CAPACITY

VERSATILITY FOR ANY OPERATION

In material handling, the last thing you need is limitations. Utilizing different trucks for indoor and outdoor work creates inefficiencies that ultimately impact your bottom line. When you need raw power to tackle outdoor challenges and efficient, environmentally friendly operation indoors, look no further than Toyota's 48V Electric Pneumatic Forklift.

Toyota designed and built AC motors to power the 48V Electric Pneumatic to new levels of productivity and efficiency while delivering low-maintenance operation. Regenerative braking returns unused energy to the battery during operation. The inclusion of fan-less cooling systems and energy-efficient tires allows for longer battery life and fewer battery changes.

Add in a completely programmable performance and power select capabilities to fine-tune operation, and you have one powerful and versatile machine designed to increase your productivity and profitability.



48V ELECTRIC PNEUMATIC ADVANTAGES

- ▶ **AC DRIVE AND LIFT MOTORS** provide superior performance and energy efficiency as well as reduced maintenance costs due to fewer moving parts

- ▶ **ENVIRONMENTAL OPTIONS AVAILABLE**, such as steel cabins with windshields and wipers, allow the forklift to operate indoors and outdoors and help protect operators from cold temperatures and wind and dust

- ▶ **WET DISC BRAKES** deliver optimal efficiency and reliable performance, with many applications never requiring service or replacement over the life of the forklift

- ▶ **AUTOMATIC PARKING BRAKE** engages when the forklift comes to a complete stop





▶ **MINI LEVER CONTROLS** come standard for improved ergonomics and efficient operation

▶ **MULTIFUNCTION DISPLAY** offers programmable performance and relays pertinent information such as remaining operating time

▶ **FIVE DIFFERENT MAST CONFIGURATIONS** such as Open View Mast provide exceptional visibility to fit your unique needs

▶ **ALL METAL RUGGED EXTERIOR** for heavy-duty durability indoors and out

▶ **BUILT USING THE TOYOTA PRODUCTION SYSTEM,** this 48V Electric Pneumatic Forklift gives you the highest levels of quality, durability, and reliability of internal combustion trucks, with the speed and economic advantages of an electric forklift





AN OPERATOR'S DREAM

Designed with the operator in mind, the 48V Electric Pneumatic comes equipped with amenities to help do their job quickly and efficiently. Standard mini-lever controls offer comfortable and ergonomic material handling while minimizing movement. Mast options with excellent visibility, an adjustable, slim steering column with an optional telescoping column, and a low dashboard deliver excellent visibility during travel and load handling.

An automatic parking brake engages when the truck stops and disengages when the driving direction is selected, and the accelerator is pressed. Standard wet disc brakes deliver smooth, powerful stopping power with minimal maintenance costs. Hydraulic power steering provides a 100° steering angle and comes with steering synchronization to maintain steering wheel alignment. Standard automatic parking brake engages when the truck stops and disengages when the driving direction is selected, and the accelerator is pressed.

YOUR LONG-TERM SOLUTION

STABILITY: NOW AN ACTION VERB

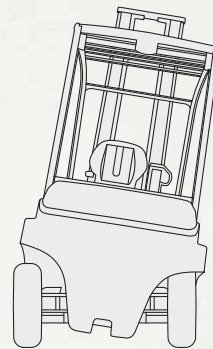
Toyota's System of Active Stability (SAS)[™] springs into action when operators encounter unanticipated load and speed conditions.

Active Control Rear Stabilizer senses potentially dangerous turn speeds and widens the forklift's center of gravity to decrease the likelihood of a lateral tip-over.

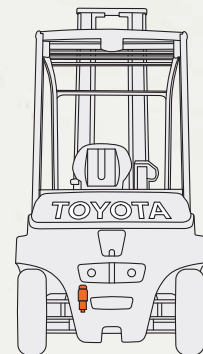
Active Mast Control automatically limits operator actions that could cause the forklift to tip forward or backward. Forward tilt control monitors load weight and mast height, then acts to limit forward tilt in potentially unstable situations. Rear tilt control slows tilt speed to half, decreasing the chances of spilling unsecured loads and increasing forklift stability.

Includes:

- ▶ Active Mast Tilt Angle Control
- ▶ Active Mast Tilt Speed Control
- ▶ Fork Leveling Control
- ▶ Active Steering Synchronizer
- ▶ Swing Lock Cylinder



WITHOUT SAS



WITH SAS*

AN INVESTMENT THAT PAYS YOU BACK

Some competitors are content to design and build a forklift with systems bought off the shelf. Toyota demands better for its customers. It's a forklift with better components and meticulously planned integrated systems that work together to deliver intuitive, dependable performance day after day. Toyota forklifts don't often require service. But when they do, it's fast and easy — by design. And legendary Toyota quality means more productivity over the lifecycle of your forklift, along with lower repair costs. Higher residual value is another bonus.

* Swing lock cylinder concept shown for reference.



48V ELECTRIC PNEUMATIC

CAPACITY
3000 - 4000 LBS.

LOAD CENTER
24 IN.

BATTERY VOLTAGE
48 V

INDUSTRIES



Agriculture



Brick, Block, Pipe



Concrete



Distribution



Oil & Gas

STANDARD EQUIPMENT

SUPPORT

- Wet Disc Brakes
- System of Active Stability (SAS)[™]
- Operator Presence Sensing System (OPSS)
- Toyota ORS (Operator Restrain System)

BODY/EXTERIOR DESIGN

- Wide View 2-Stage Mast (V)
- 36" wide carriage
- Solid Pneumatic Tires
- Drive Unit Protector
- Belly Pan
- Paper Clip on Battery Hood
- Cupholder
- Seat Pocket

PERFORMANCE

- LCD Digital Multifunction Display
 - Time & Date
 - Speedometer
 - Multifunctional Hour Meter
 - Battery Capacity Indicator
 - Over Discharge Warning (lift interrupt)
 - Parking Brake Indicator
 - Low Speed Setting Switch
 - Direction Indicator
- 3-way Hydraulic Control Valve
- Accel-Off function
- Power Select Function

ERGONOMICS

- Automatic Parking Brake
- Wide Brake Pedal
- Hydraulic Power Steering
- Adjustable Tilt Steering Column with Memory Function
- Seat Mounted Hydraulic Mini Levers
- Direction Switch on Armrest

SERVICEABILITY

- Toyota AC Power System
- Easy access, no tools toeboard & side panels
- Lift out battery exchange

OPTIONS AVAILABILITY CHART

LIGHTS AND INDICATORS

- Various Strobe Light Options
- Various Work Light and Headlight Options
- Operator Compartment Light
- Reading Light
- Blue LED Front Warning Light
- Rear Facing Blue LED Warning Light, Reverse-Activated
- Deluxe Multifunction Display (Includes Tilt and Load Indicator)
- Back up Buzzer
- Armrest Horn
- Armrest Power Disconnect

BODY

- Left Hand Shift Lever (Multi Function Levers)
- EZ Pedal
- Multifunction Joystick
- Maximum drive speed and acceleration reduction with lifted load (only with L26B)
- Rear View Mirrors (Left & Right Sides)
- Panoramic Rear View Mirror
- Flat Internal Rear View Mirror
- Additional Fork Pockets Tray (no battery)
- Pin Code Entry System (with 10 key pad)
- Rear Assist Grip with Horn Button
- Shock Sensor
- Height Selector (all masts)
- Various Seat Options
- Seatbelt interlock with OPS
- Swivel Seat
- Orange Seat Belt
- Heating Cushion for Standard Seat
- Overhead Guard Sheet
- Various Cabin Options
- Drive-in Rack Overhead Guard
- Floating High OHG (+95mm)
- Raised Overhead Guard (+3.7")
- Lowered Overhead Guard (-2.4")
- Sunshade
- Heater
- Integral Overhead Guard Protector (Mesh Screen)
- 12V Power Supply (Automotive Style)
- Fully Adjustable Armrest
- Document Box
- Writing Table
- Clipboard
- E-BAR 23" Rail

SPECIAL MODEL

- Cold Storage Model
- Special Color Paint

WHEELS AND TIRES

- Continental Non-Marking Solid Pneumatic Tires w/Anti-Static Strap, Front
- Continental Non-Marking Solid Pneumatic Tires w/Anti-Static Strap, Rear
- Anti-Static Strap
- Rear Mudguards

LOAD HANDLING

- Wide Visibility Mast (V)
- Full-Free Lift, Dual Cylinder 2-Stage Mast (FW)
- Full-Free Lift, Dual Cylinder 3-Stage Mast (FSW)
- Full-Free Lift, Single Cylinder 2-Stage Mast (FV)
- Full-Free Lift, Single Cylinder 3-Stage Mast (FSV)
- Without Mast

BATTERY AND ACCESSORIES

- Battery Roll Out with Side Covers
- Battery Low Lift-Out with Side Covers
- Battery Side Extraction with Fork Pockets and Side Covers
- 24V Power Supply (80W)
- 12V Power Supply (80W)
- Battery Side Cover
- Long Forkbar
- High Load Backrest
- Without Load Backrest
- Hydraulic Cushioned Forks (Includes Shockless Landing Lift)
- Hydraulic Accumulator
- Quick Couplings on 3rd Valve
- Quick Couplings on 4th Valve
- Center & Side Pipe Connector
- Various Hosing Options
- Clamp Release Interlock
- Sideshifter Options

TRUCK SPECIFICATIONS

MODEL NUMBERS

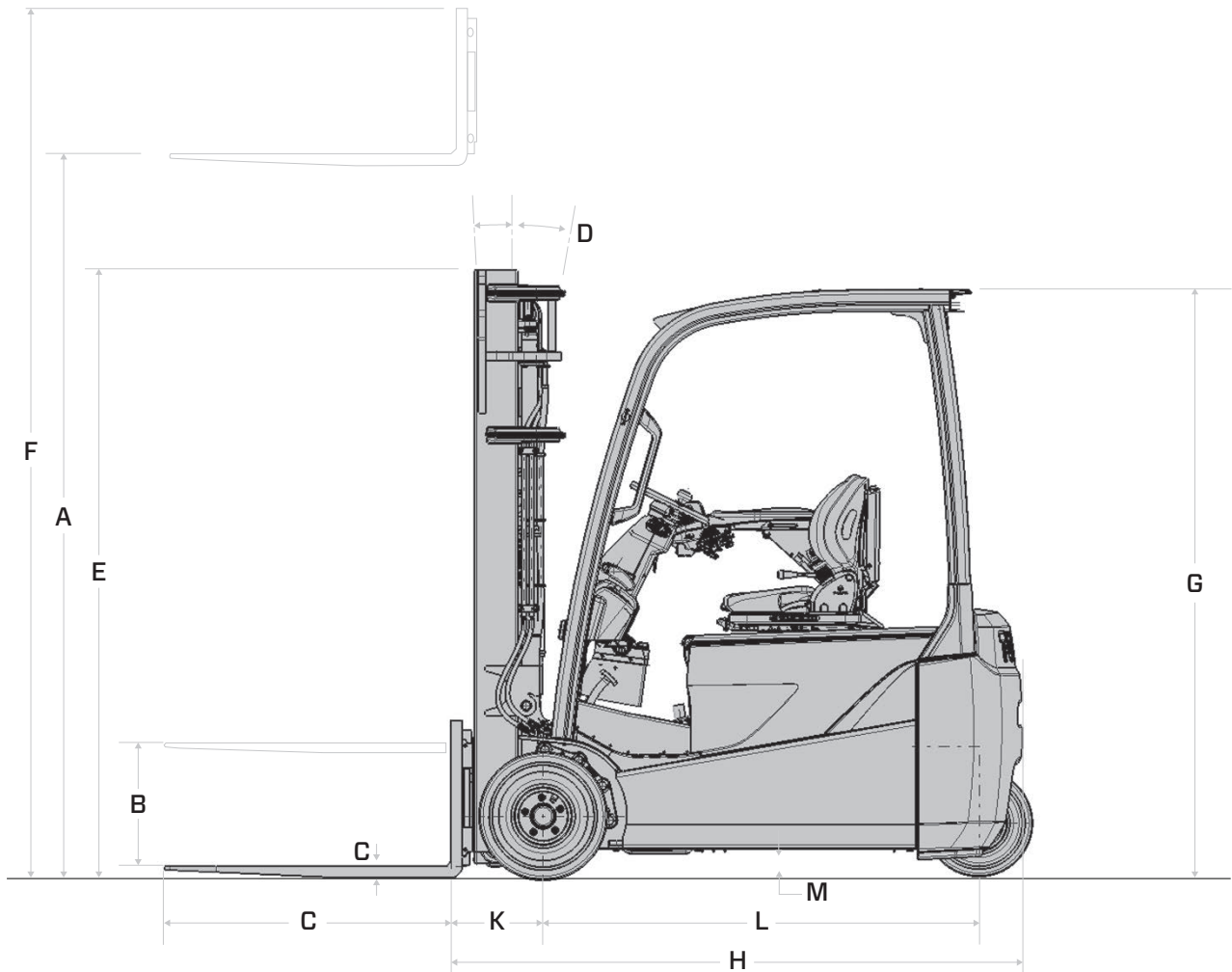
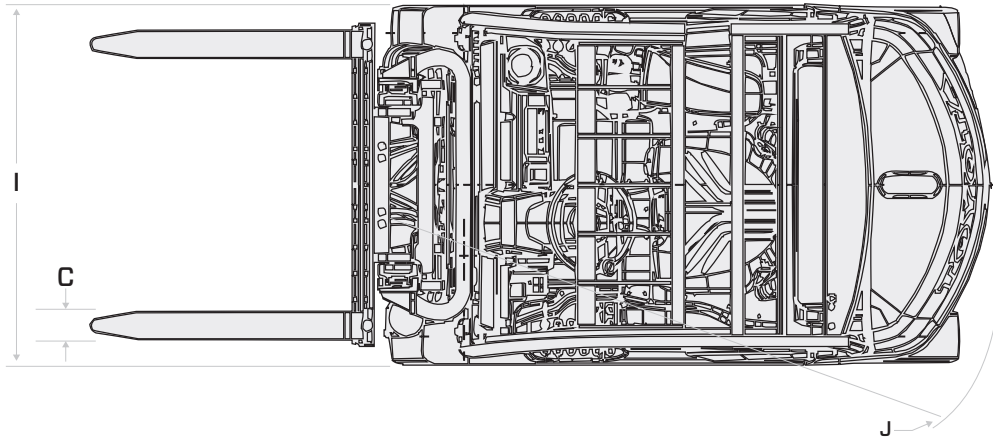
GENERAL DATA				8FBMK16T	8FBM16T	8FBM18T	8FBMK20T	8FBM20T
Load Capacity	lb (kg)		3000 (1430)	3000 (1430)	3500 (1610)	4000 (1790)	4000 (1790)	
Load Center	in (mm)		24 (600)	24 (600)	24 (600)	24 (600)	24 (600)	
Battery Compartment Length			25"	29"	29"	25"	29"	
Power Type			Battery	Battery	Battery	Battery	Battery	
Operator Position			Rider Seated	Rider Seated	Rider Seated	Rider Seated	Rider Seated	
EXTERIOR DIMENSIONS				8FBMK16T	8FBM16T	8FBM18T	8FBMK20T	8FBM20T
A Maximum Fork Height (MFH, V mast, Top of Forks)	in (mm)		131 (3335)	131 (3335)	131 (3335)	131 (3335)	131 (3335)	
B Free Lift (Top of Forks)	in (mm)		4.5 (115)	4.5 (115)	4.5 (115)	4.5 (115)	4.5 (115)	
C Fork Size	T x W x L	in (mm)	1.6 x 5 x 42 (40 x 125 x 1070)	1.6 x 5 x 42 (40 x 125 x 1070)	1.6 x 5 x 42 (40 x 125 x 1070)	1.6 x 5 x 42 (40 x 125 x 1070)	1.6 x 5 x 42 (40 x 125 x 1070)	
D Tilt Range	Fwd/Bwd	deg	5/7	5/7	5/7	5/7	5/7	
E Mast Lowered Height	in (mm)		83.5 (2120)	83.5 (2120)	83.5 (2120)	83.5 (2120)	83.5 (2120)	
F Mast Extended Height (Top of Load Backrest)	in (mm)		152.3 (3870)	152.3 (3870)	152.3 (3870)	152.3 (3870)	152.3 (3870)	
G Overhead Guard Height	in (mm)		80.9 (2055)	80.9 (2055)	80.9 (2055)	80.9 (2055)	80.9 (2055)	
H Length to Fork Face	in (mm)		79.3 (2014)	83.5 (2122)	83.5 (2122)	80.5 (2044)	83.5 (2122)	
I Overall Truck Width	in (mm)		41.7 (1060)	41.7 (1060)	41.7 (1060)	45.4 (1152)	45.4 (1152)	
J Outside Turning Radius	in (mm)		67.2 (1707)	71.3 (1811)	71.3 (1811)	68.4 (1737)	71.3 (1811)	
K Load Distance (Centerline of front axle to front face of forks)	in (mm)		12.5 (317)	12.5 (317)	12.5 (317)	12.5 (317)	12.5 (317)	
Basic Right Angle Stacking Aisle Width (add load length and clearance)	in (mm)		89 (2260)	93.2 (2368)	93.2 (2368)	90.2 (2290)	93.2 (2368)	
PERFORMANCE DATA				8FBMK16T	8FBM16T	8FBM18T	8FBMK20T	8FBM20T
Speeds (Maximum) ¹	Travel (fwd./rev.)	Full Load	mph (km/h)	12.4 (20)	12.4 (20)	12.4 (20)	12.4 (20)	12.4 (20)
		No Load	mph (km/h)	12.4 (20)	12.4 (20)	12.4 (20)	12.4 (20)	12.4 (20)
	Lifting	Full Load	fpm (mm/sec)	84.6 (430)	84.6 (430)	82.7 (420)	74.8 (380)	74.8 (380)
		No Load	fpm (mm/sec)	120 (610)	120 (610)	120 (610)	106.3 (540)	106.3 (540)
	Lowering	Full Load	fpm (mm/sec)	104.3 (530)	104.3 (530)	104.3 (530)	102.4 (520)	102.4 (520)
		No Load	fpm (mm/sec)	108.3 (550)	108.3 (550)	108.3 (550)	98.4 (500)	98.4 (500)
Drawbar Pull	With load / Without load	5-Minute Ratings	lbf (N)	2143 (9534) / 2122 (9437)	2124 (9448) / 2115 (9409)	2124 (9448) / 2115 (9409)	2059 (9157) / 2068 (9197)	2059 (9157) / 2068 (9197)
		60-Minute Ratings	lbf (N)	1143 (5083) / 1162 (5171)	1124 (4998) / 1156 (5143)	1124 (4998) / 1156 (5143)	1091 (4851) / 1136 (5055)	1091 (4851) / 1136 (5055)
Gradeability [*]	With load / Without load	5-Minute Ratings	%	23.6% / 22.4%	21% / 24.2%	21% / 24.2%	18.3/24.6%	18.3/24.6%
		30-Minute Ratings	%	17.3% / 22.4%	15.3% / 24.2%	15.3% / 24.2%	13.4/24.6%	13.4/24.6%
TRUCK WEIGHTS				8FBMK16T	8FBM16T	8FBM18T	8FBMK20T	8FBM20T
Total Weight	Without Battery		lb (kg)	4621 (2096)	4321 (1960)	4537 (2058)	5331 (2418)	4956 (2248)
Weight Distribution (standard battery)	Front	Full Load	lb (kg)	8942 (4056)	8988 (4077)	9630 (4368)	10276 (4661)	10379 (4708)
		No Load	lb (kg)	3307 (1500)	3497 (1586)	3468 (1573)	3263 (1480)	3547 (1609)
	Rear	Full Load	lb (kg)	1094 (496)	1094 (496)	1109 (503)	1351 (613)	1219 (553)
		No Load	lb (kg)	3201 (1452)	3058 (1387)	3303 (1498)	3955 (1794)	3642 (1652)
TIRES				8FBMK16T	8FBM16T	8FBM18T	8FBMK20T	8FBM20T
Tires	Tire Type	Front/Rear	Solid Pneumatic	Solid Pneumatic	Solid Pneumatic	Solid Pneumatic	Solid Pneumatic	
	Number (x = driven)	Front/Rear	2x / 2	2x / 2	2x / 2	2x / 2	2x / 2	
	Size (dia. X width)	Front	18 x 7 - 8	18 x 7 - 8	18 x 7 - 8	200/50-10	200/50-10	
		Rear	16 x 6 - 8	16 x 6 - 8	16 x 6 - 8	16 x 6 - 8	16 x 6 - 8	
	Tread	Front	in (mm)	35.6 (905)	35.6 (905)	35.6 (905)	36.4 (925)	36.4 (925)
		Rear	in (mm)	34.6 (880)	34.6 (880)	34.6 (880)	34.6 (880)	34.6 (880)
L Wheelbase		in (mm)	57.2 (1453)	61.5 (1561)	61.5 (1561)	57.2 (1453)	61.5 (1561)	
M Underclearance (Full Load)	Min. <Mast>	in (mm)	3.15 (80)	3.15 (80)	3.15 (80)	3.5 (90)	3.5 (90)	
	Center of Wheelbase	in (mm)	3.98 (101)	3.98 (101)	3.98 (101)	4.2 (107)	4.2 (107)	
Brake	Service (Foot)		Hydraulic	Hydraulic	Hydraulic	Hydraulic	Hydraulic	
	Parking Brake (Auto)		Electro-mechanical	Electro-mechanical	Electro-mechanical	Electro-mechanical	Electro-mechanical	
POWER SYSTEM				8FBMK16T	8FBM16T	8FBM18T	8FBMK20T	8FBM20T
Battery (5-hour rating)		V/AH	48 / 550	48 / 550	48 / 660	48 / 550	48 / 550	
Electric Motors	Drive	hp (kW)	16.1 (6x2)	16.1 (6x2)	16.1 (6x2)	16.1 (6x2)	16.1 (6x2)	
	Load Handling	hp (kW)	15.7 (11.7)	15.7 (11.7)	15.7 (11.7)	15.7 (11.7)	15.7 (11.7)	
Control Type	Drive		Inverter MOSFET	Inverter MOSFET	Inverter MOSFET	Inverter MOSFET	Inverter MOSFET	
	Load Handling		Inverter MOSFET	Inverter MOSFET	Inverter MOSFET	Inverter MOSFET	Inverter MOSFET	
	Power Steering		Inverter MOSFET	Inverter MOSFET	Inverter MOSFET	Inverter MOSFET	Inverter MOSFET	
Auxiliary Hydraulic Function Specifications (For Attachments) ²	Max Operating Pressure	psi (bar)	2654 (183)	2654 (183)	2654 (183)	2654 (183)	2654 (183)	
	Max Flow Rate	gpm (lpm)	10.9 (41.3)	10.9 (41.3)	10.9 (41.3)	10.9 (41.3)	10.9 (41.3)	

1 Values indicated reflect speeds in H mode.

2 Values taken at Hydraulic Control Valve. Does not take into consideration losses through mast plumbing (hosing, fittings, QD's, etc).

NOTE: * Computed Values.

EXTERIOR DIMENSIONS



MAST SPECIFICATIONS & RATED CAPACITIES

MAST TYPE	MAXIMUM FORK HEIGHT (TOP OF FORKS)	OVERALL HEIGHT			FREE LIFT		TILT RANGE		LOAD CAPACITY AT 24 IN. (610MM) LOAD CENTER* SINGLE TIRE
		LOWERED	EXTENDED		WITHOUT LOAD BACKREST	WITH STANDARD LOAD BACKREST	FWD	BWD	
			WITHOUT LOAD BACKREST	WITH STANDARD LOAD BACKREST					
in (mm)		in (mm)	in (mm)	in (mm)	in (mm)	in (mm)	deg	deg	lb (kg)
8FBMK16T									
Wide Visible Mast (V)	119.5 (3035)	77.5 (1970)	140.5 (3570)	167.7 (4260)	3.15 (80)	3.15 (80)	5	7	3150 (1430)
	131 (3335)	83.5 (2120)	152.4 (3870)	179.5 (4560)	3.15 (80)	3.15 (80)	5	7	3150 (1430)
	139 (3535)	87.4 (2220)	160.2 (4070)	187.4 (4760)	3.15 (80)	3.15 (80)	5	7	3150 (1430)
	147 (3735)	93.7 (2380)	168.1 (4270)	195.2 (4960)	3.15 (80)	3.15 (80)	5	7	3150 (1430)
	159 (4035)	101.2 (2570)	180 (4570)	207.1 (5260)	3.15 (80)	3.15 (80)	5	7	3150 (1430)
	178.5 (4535)	111 (2820)	199.6 (5070)	226.8 (5760)	3.15 (80)	3.15 (80)	5	7	3150 (1430)
	198 (5035)	120.8 (3070)	219.3 (5570)	246.5 (6260)	3.15 (80)	3.15 (80)	5	7	2845 (1290)
Wide Visible Full-Free Lift Two-Stage Mast (FV)	119.5 (3035)	77.5 (1970)	141 (3580)	167.7 (4260)	56.3 (1430)	29.3 (745)	5	7	3150 (1430)
	131 (3335)	83.5 (2120)	152.7 (3880)	179.5 (4560)	62.2 (1580)	35.2 (895)	5	7	3150 (1430)
	139 (3535)	87.4 (2220)	160.6 (4080)	187.4 (4760)	66.1 (1680)	39.2 (995)	5	7	3150 (1430)
	147 (3735)	93.7 (2380)	168.5 (4280)	195.2 (4960)	72.4 (1840)	45.5 (1155)	5	7	3150 (1430)
Wide Visible Full-Free Lift Two-Stage Four-Cylinder Mast (FW)	119.5 (3035)	78.7 (2000)	140 (3555)	167.7 (4260)	56.7 (1440)	28.9 (735)	5	7	3150 (1430)
	131 (3335)	84.6 (2150)	151.8 (3855)	179.5 (4560)	62.6 (1590)	34.8 (885)	5	7	3150 (1430)
	139 (3535)	88.6 (2250)	159.6 (4055)	187.4 (4760)	66.5 (1690)	38.8 (985)	5	7	3150 (1430)
	147 (3735)	92.5 (2350)	167.5 (4255)	195.2 (4960)	70.5 (1790)	42.7 (1085)	5	7	3150 (1430)
Wide Visible Full-Free Lift Three-Stage Mast (FSV)	171 (4335)	77.5 (1970)	190.7 (4845)	218.9 (5560)	57.5 (1460)	29.3 (745)	5	7	3065 (1390)
	178.5 (4535)	80.3 (2040)	198.6 (5045)	226.8 (5760)	60.2 (1530)	32.1 (815)	5	7	3065 (1390)
	186 (4735)	83.5 (2120)	206.5 (5245)	234.6 (5960)	63.4 (1610)	35.2 (895)	5	7	2955 (1340)
	198 (5035)	87.4 (2220)	218.3 (5545)	246.5 (6260)	67.3 (1710)	39.2 (995)	5	7	2870 (1300)
	218 (5535)	93.7 (2380)	238 (6045)	266.1 (6760)	73.6 (1870)	45.5 (1155)	5	7	2730 (1240)
	237.5 (6035)	101.2 (2570)	257.7 (6545)	285.8 (7260)	81.1 (2060)	53 (1345)	5	7	2620 (1190)
Wide Visible Full-Free Lift Three-Stage Four-Cylinder Mast (FSW)	171 (4335)	78 (1980)	190.7 (4845)	218.9 (5560)	56.3 (1430)	28.1 (715)	5	7	3065 (1390)
	178.5 (4535)	80.7 (2050)	198.6 (5045)	226.8 (5760)	59.1 (1500)	30.9 (785)	5	7	3065 (1390)
	186 (4735)	84.6 (2150)	206.5 (5245)	234.6 (5960)	63 (1600)	34.8 (885)	5	7	2955 (1340)
	198 (5035)	88.6 (2250)	218.3 (5545)	246.5 (6260)	67 (1700)	38.8 (985)	5	7	2870 (1300)
	218 (5535)	96.5 (2450)	238 (6045)	266.1 (6760)	74.8 (1900)	46.7 (1185)	5	7	2730 (1240)
	237.5 (6035)	102.4 (2600)	257.7 (6545)	285.8 (7260)	80.7 (2050)	52.6 (1335)	5	7	2450 (1110)
	257 (6535)	110.2 (2800)	277.4 (7045)	305.5 (7760)	88.6 (2250)	60.4 (1535)	5	7	2160 (980)
	277 (7035)	118.1 (3000)	297 (7545)	325.2 (8260)	96.5 (2450)	68.4 (1735)	5	7	1850 (840)
	296.5 (7535)	126 (3200)	316.7 (8045)	344.9 (8760)	104.3 (2650)	76.2 (1935)	5	7	1565 (710)

* All capacities of 1,500 lbs or less are subject to a secondary review and could be denied by Toyota.
NOTE : Height of standard load backrest is 48 in. (1220 mm).

MAST TYPE	MAXIMUM FORK HEIGHT (TOP OF FORKS)	OVERALL HEIGHT			FREE LIFT		TILT RANGE		LOAD CAPACITY AT 24 IN. (610MM) LOAD CENTER* SINGLE TIRE
		LOWERED	EXTENDED		WITHOUT LOAD BACKREST	WITH STANDARD LOAD BACKREST	FWD	BWD	
			WITHOUT LOAD BACKREST	WITH STANDARD LOAD BACKREST					
8FBM16T									
Wide Visible Mast (V)	119.5 (3035)	77.5 (1970)	140.5 (3570)	167.7 (4260)	3.15 (80)	3.15 (80)	5	7	3150 (1430)
	131 (3335)	83.5 (2120)	152.4 (3870)	179.5 (4560)	3.15 (80)	3.15 (80)	5	7	3150 (1430)
	139 (3535)	87.4 (2220)	160.2 (4070)	187.4 (4760)	3.15 (80)	3.15 (80)	5	7	3150 (1430)
	147 (3735)	93.7 (2380)	168.1 (4270)	195.2 (4960)	3.15 (80)	3.15 (80)	5	7	3150 (1430)
	159 (4035)	101.2 (2570)	180 (4570)	207.1 (5260)	3.15 (80)	3.15 (80)	5	7	3150 (1430)
	178.5 (4535)	111 (2820)	199.6 (5070)	226.8 (5760)	3.15 (80)	3.15 (80)	5	7	3150 (1430)
	198 (5035)	120.8 (3070)	219.3 (5570)	246.5 (6260)	3.15 (80)	3.15 (80)	5	7	3150 (1430)
Wide Visible Full-Free Lift Two-Stage Mast (FV)	119.5 (3035)	77.5 (1970)	141 (3580)	167.7 (4260)	56.3 (1430)	29.3 (745)	5	7	3150 (1430)
	131 (3335)	83.5 (2120)	152.7 (3880)	179.5 (4560)	62.2 (1580)	35.2 (895)	5	7	3150 (1430)
	139 (3535)	87.4 (2220)	160.6 (4080)	187.4 (4760)	66.1 (1680)	39.2 (995)	5	7	3150 (1430)
	147 (3735)	93.7 (2380)	168.5 (4280)	195.2 (4960)	72.4 (1840)	45.5 (1155)	5	7	3150 (1430)
Wide Visible Full-Free Lift Two-Stage Four-Cylinder Mast (FW)	119.5 (3035)	78.7 (2000)	140 (3555)	167.7 (4260)	56.7 (1440)	28.9 (735)	5	7	3150 (1430)
	131 (3335)	84.6 (2150)	151.8 (3855)	179.5 (4560)	62.6 (1590)	34.8 (885)	5	7	3150 (1430)
	139 (3535)	88.6 (2250)	159.6 (4055)	187.4 (4760)	66.5 (1690)	38.8 (985)	5	7	3150 (1430)
	147 (3735)	92.5 (2350)	167.5 (4255)	195.2 (4960)	70.5 (1790)	42.7 (1085)	5	7	3150 (1430)
Wide Visible Full-Free Lift Three-Stage Mast (FSV)	171 (4335)	77.5 (1970)	190.7 (4845)	218.9 (5560)	57.5 (1460)	29.3 (745)	5	7	3130 (1420)
	178.5 (4535)	80.3 (2040)	198.6 (5045)	226.8 (5760)	60.2 (1530)	32.1 (815)	5	7	3130 (1420)
	186 (4735)	83.5 (2120)	206.5 (5245)	234.6 (5960)	63.4 (1610)	35.2 (895)	5	7	3130 (1420)
	198 (5035)	87.4 (2220)	218.3 (5545)	246.5 (6260)	67.3 (1710)	39.2 (995)	5	7	3040 (1380)
	218 (5535)	93.7 (2380)	238 (6045)	266.1 (6760)	73.6 (1870)	45.5 (1155)	5	7	2845 (1290)
	237.5 (6035)	101.2 (2570)	257.7 (6545)	285.8 (7260)	81.1 (2060)	53 (1345)	5	7	2340 (1060)
Wide Visible Full-Free Lift Three-Stage Four-Cylinder Mast (FSW)	171 (4335)	78 (1980)	190.7 (4845)	218.9 (5560)	56.3 (1430)	28.1 (715)	5	7	3130 (1420)
	178.5 (4535)	80.7 (2050)	198.6 (5045)	226.8 (5760)	59.1 (1500)	30.9 (785)	5	7	3130 (1420)
	186 (4735)	84.6 (2150)	206.5 (5245)	234.6 (5960)	63 (1600)	34.8 (885)	5	7	3130 (1420)
	198 (5035)	88.6 (2250)	218.3 (5545)	246.5 (6260)	67 (1700)	38.8 (985)	5	7	3040 (1380)
	218 (5535)	96.5 (2450)	238 (6045)	266.1 (6760)	74.8 (1900)	46.7 (1185)	5	7	2845 (1290)
	237.5 (6035)	102.4 (2600)	257.7 (6545)	285.8 (7260)	80.7 (2050)	52.6 (1335)	5	7	2340 (1060)
	257 (6535)	110.2 (2800)	277.4 (7045)	305.5 (7760)	88.6 (2250)	60.4 (1535)	5	7	1960 (890)
	277 (7035)	118.1 (3000)	297 (7545)	325.2 (8260)	96.5 (2450)	68.4 (1735)	5	7	1565 (710)
	296.5 (7535)	126 (3200)	316.7 (8045)	344.9 (8760)	104.3 (2650)	76.2 (1935)	5	7	1260 (570)

* All capacities of 1,500 lbs or less are subject to a secondary review and could be denied by Toyota.
NOTE : Height of standard load backrest is 48 in. (1220 mm).

MAST SPECIFICATIONS & RATED CAPACITIES

MAST TYPE	MAXIMUM FORK HEIGHT (TOP OF FORKS)	OVERALL HEIGHT			FREE LIFT		TILT RANGE		LOAD CAPACITY AT 24 IN. (610MM) LOAD CENTER* SINGLE TIRE
		LOWERED	EXTENDED		WITHOUT LOAD BACKREST	WITH STANDARD LOAD BACKREST	FWD	BWD	
			WITHOUT LOAD BACKREST	WITH STANDARD LOAD BACKREST					
in (mm)		in (mm)	in (mm)	in (mm)	in (mm)	in (mm)	deg	deg	lb (kg)
8FBM18T									
Wide Visible Mast (V)	119.5 (3035)	77.5 (1970)	140.5 (3570)	167.7 (4260)	3.15 (80)	3.15 (80)	5	7	3550 (1610)
	131 (3335)	83.5 (2120)	152.4 (3870)	179.5 (4560)	3.15 (80)	3.15 (80)	5	7	3550 (1610)
	139 (3535)	87.4 (2220)	160.2 (4070)	187.4 (4760)	3.15 (80)	3.15 (80)	5	7	3550 (1610)
	147 (3735)	93.7 (2380)	168.1 (4270)	195.2 (4960)	3.15 (80)	3.15 (80)	5	7	3550 (1610)
	159 (4035)	101.2 (2570)	180 (4570)	207.1 (5260)	3.15 (80)	3.15 (80)	5	7	3550 (1610)
	178.5 (4535)	111 (2820)	199.6 (5070)	226.8 (5760)	3.15 (80)	3.15 (80)	5	7	3420 (1550)
	198 (5035)	120.8 (3070)	219.3 (5570)	246.5 (6260)	3.15 (80)	3.15 (80)	5	7	3330 (1510)
Wide Visible Full-Free Lift Two-Stage Mast (FV)	119.5 (3035)	77.5 (1970)	141 (3580)	167.7 (4260)	56.3 (1430)	29.3 (745)	5	7	3550 (1610)
	131 (3335)	83.5 (2120)	152.7 (3880)	179.5 (4560)	62.2 (1580)	35.2 (895)	5	7	3550 (1610)
	139 (3535)	87.4 (2220)	160.6 (4080)	187.4 (4760)	66.1 (1680)	39.2 (995)	5	7	3550 (1610)
	147 (3735)	93.7 (2380)	168.5 (4280)	195.2 (4960)	72.4 (1840)	45.5 (1155)	5	7	3550 (1610)
Wide Visible Full-Free Lift Two-Stage Four-Cylinder Mast (FW)	119.5 (3035)	78.7 (2000)	140 (3555)	167.7 (4260)	56.7 (1440)	28.9 (735)	5	7	3550 (1610)
	131 (3335)	84.6 (2150)	151.8 (3855)	179.5 (4560)	62.6 (1590)	34.8 (885)	5	7	3550 (1610)
	139 (3535)	88.6 (2250)	159.6 (4055)	187.4 (4760)	66.5 (1690)	38.8 (985)	5	7	3550 (1610)
	147 (3735)	92.5 (2350)	167.5 (4255)	195.2 (4960)	70.5 (1790)	42.7 (1085)	5	7	3550 (1610)
Wide Visible Full-Free Lift Three-Stage Mast (FSV)	171 (4335)	77.5 (1970)	190.7 (4845)	218.9 (5560)	57.5 (1460)	29.3 (745)	5	7	3330 (1510)
	178.5 (4535)	80.3 (2040)	198.6 (5045)	226.8 (5760)	60.2 (1530)	32.1 (815)	5	7	3330 (1510)
	186 (4735)	83.5 (2120)	206.5 (5245)	234.6 (5960)	63.4 (1610)	35.2 (895)	5	7	3330 (1510)
	198 (5035)	87.4 (2220)	218.3 (5545)	246.5 (6260)	67.3 (1710)	39.2 (995)	5	7	3280 (1490)
	218 (5535)	93.7 (2380)	238 (6045)	266.1 (6760)	73.6 (1870)	45.5 (1155)	5	7	2845 (1290)
	237.5 (6035)	101.2 (2570)	257.7 (6545)	285.8 (7260)	81.1 (2060)	53 (1345)	5	7	2450 (1110)
Wide Visible Full-Free Lift Three-Stage Four-Cylinder Mast (FSW)	171 (4335)	78 (1980)	190.7 (4845)	218.9 (5560)	56.3 (1430)	28.1 (715)	5	7	3330 (1510)
	178.5 (4535)	80.7 (2050)	198.6 (5045)	226.8 (5760)	59.1 (1500)	30.9 (785)	5	7	3330 (1510)
	186 (4735)	84.6 (2150)	206.5 (5245)	234.6 (5960)	63 (1600)	34.8 (885)	5	7	3330 (1510)
	198 (5035)	88.6 (2250)	218.3 (5545)	246.5 (6260)	67 (1700)	38.8 (985)	5	7	3280 (1490)
	218 (5535)	96.5 (2450)	238 (6045)	266.1 (6760)	74.8 (1900)	46.7 (1185)	5	7	2890 (1310)
	237.5 (6035)	102.4 (2600)	257.7 (6545)	285.8 (7260)	80.7 (2050)	52.6 (1335)	5	7	2450 (1110)
	257 (6535)	110.2 (2800)	277.4 (7045)	305.5 (7760)	88.6 (2250)	60.4 (1535)	5	7	2160 (980)
	277 (7035)	118.1 (3000)	297 (7545)	325.2 (8260)	96.5 (2450)	68.4 (1735)	5	7	1650 (750)
296.5 (7535)	126 (3200)	316.7 (8045)	344.9 (8760)	104.3 (2650)	76.2 (1935)	5	7	1565 (710)	

* All capacities of 1,500 lbs or less are subject to a secondary review and could be denied by Toyota.
NOTE : Height of standard load backrest is 48 in. (1220 mm).

MAST TYPE	MAXIMUM FORK HEIGHT (TOP OF FORKS)	OVERALL HEIGHT			FREE LIFT		TILT RANGE		LOAD CAPACITY AT 24 IN. (610MM) LOAD CENTER* SINGLE TIRE
		LOWERED	EXTENDED		WITHOUT LOAD BACKREST	WITH STANDARD LOAD BACKREST	FWD	BWD	
			WITHOUT LOAD BACKREST	WITH STANDARD LOAD BACKREST					
8FBMK20T									
Wide Visible Mast (V)	119.5 (3035)	77.5 (1970)	140.5 (3570)	167.7 (4260)	3.15 (80)	3.15 (80)	5	7	3950 (1790)
	131 (3335)	83.5 (2120)	152.4 (3870)	179.5 (4560)	3.15 (80)	3.15 (80)	5	7	3950 (1790)
	139 (3535)	87.4 (2220)	160.2 (4070)	187.4 (4760)	3.15 (80)	3.15 (80)	5	7	3950 (1790)
	147 (3735)	93.7 (2380)	168.1 (4270)	195.2 (4960)	3.15 (80)	3.15 (80)	5	7	3950 (1790)
	159 (4035)	101.2 (2570)	180 (4570)	207.1 (5260)	3.15 (80)	3.15 (80)	5	7	3950 (1790)
	178.5 (4535)	111 (2820)	199.6 (5070)	226.8 (5760)	3.15 (80)	3.15 (80)	5	7	3950 (1790)
	198 (5035)	120.8 (3070)	219.3 (5570)	246.5 (6260)	3.15 (80)	3.15 (80)	5	7	3750 (1700)
Wide Visible Full-Free Lift Two-Stage Mast (FV)	119.5 (3035)	77.5 (1970)	141 (3580)	167.7 (4260)	56.3 (1430)	29.3 (745)	5	7	3950 (1790)
	131 (3335)	83.5 (2120)	152.7 (3880)	179.5 (4560)	62.2 (1580)	35.2 (895)	5	7	3950 (1790)
	139 (3535)	87.4 (2220)	160.6 (4080)	187.4 (4760)	66.1 (1680)	39.2 (995)	5	7	3950 (1790)
	147 (3735)	93.7 (2380)	168.5 (4280)	195.2 (4960)	72.4 (1840)	45.5 (1155)	5	7	3950 (1790)
Wide Visible Full-Free Lift Two-Stage Four-Cylinder Mast (FW)	119.5 (3035)	78.7 (2000)	140 (3555)	167.7 (4260)	56.7 (1440)	28.9 (735)	5	7	3950 (1790)
	131 (3335)	84.6 (2150)	151.8 (3855)	179.5 (4560)	62.6 (1590)	34.8 (885)	5	7	3950 (1790)
	139 (3535)	88.6 (2250)	159.6 (4055)	187.4 (4760)	66.5 (1690)	38.8 (985)	5	7	3950 (1790)
	147 (3735)	92.5 (2350)	167.5 (4255)	195.2 (4960)	70.5 (1790)	42.7 (1085)	5	7	3950 (1790)
Wide Visible Full-Free Lift Three-Stage Mast (FSV)	171 (4335)	77.5 (1970)	190.7 (4845)	218.9 (5560)	57.5 (1460)	29.3 (745)	5	7	3700 (1680)
	178.5 (4535)	80.3 (2040)	198.6 (5045)	226.8 (5760)	60.2 (1530)	32.1 (815)	5	7	3700 (1680)
	186 (4735)	83.5 (2120)	206.5 (5245)	234.6 (5960)	63.4 (1610)	35.2 (895)	5	7	3700 (1680)
	198 (5035)	87.4 (2220)	218.3 (5545)	246.5 (6260)	67.3 (1710)	39.2 (995)	5	7	3420 (1550)
	218 (5535)	93.7 (2380)	238 (6045)	266.1 (6760)	73.6 (1870)	45.5 (1155)	5	7	3130 (1420)
	237.5 (6035)	101.2 (2570)	257.7 (6545)	285.8 (7260)	81.1 (2060)	53 (1345)	5	7	2955 (1340)
Wide Visible Full-Free Lift Three-Stage Four-Cylinder Mast (FSW)	171 (4335)	78 (1980)	190.7 (4845)	218.9 (5560)	56.3 (1430)	28.1 (715)	5	7	3700 (1680)
	178.5 (4535)	80.7 (2050)	198.6 (5045)	226.8 (5760)	59.1 (1500)	30.9 (785)	5	7	3700 (1680)
	186 (4735)	84.6 (2150)	206.5 (5245)	234.6 (5960)	63 (1600)	34.8 (885)	5	7	3700 (1680)
	198 (5035)	88.6 (2250)	218.3 (5545)	246.5 (6260)	67 (1700)	38.8 (985)	5	7	3615 (1640)
	218 (5535)	96.5 (2450)	238 (6045)	266.1 (6760)	74.8 (1900)	46.7 (1185)	5	7	3615 (1640)
	237.5 (6035)	102.4 (2600)	257.7 (6545)	285.8 (7260)	80.7 (2050)	52.6 (1335)	5	7	3130 (1420)
	257 (6535)	110.2 (2800)	277.4 (7045)	305.5 (7760)	88.6 (2250)	60.4 (1535)	5	7	2340 (1060)
	277 (7035)	118.1 (3000)	297 (7545)	325.2 (8260)	96.5 (2450)	68.4 (1735)	5	7	1760 (800)
	296.5 (7535)	126 (3200)	316.7 (8045)	344.9 (8760)	104.3 (2650)	76.2 (1935)	5	7	1565 (710)

* All capacities of 1,500 lbs or less are subject to a secondary review and could be denied by Toyota.
NOTE : Height of standard load backrest is 48 in. (1220 mm).

MAST SPECIFICATIONS & RATED CAPACITIES

MAST TYPE	MAXIMUM FORK HEIGHT (TOP OF FORKS)	OVERALL HEIGHT			FREE LIFT		TILT RANGE		LOAD CAPACITY AT 24 IN. (610MM) LOAD CENTER* SINGLE TIRE
		LOWERED	EXTENDED		WITHOUT LOAD BACKREST	WITH STANDARD LOAD BACKREST	FWD	BWD	
			WITHOUT LOAD BACKREST	WITH STANDARD LOAD BACKREST					
8FBM20T									
	in (mm)	in (mm)	in (mm)	in (mm)	in (mm)	in (mm)	deg	deg	lb (kg)
Wide Visible Mast (V)	119.5 (3035)	77.5 (1970)	140.5 (3570)	167.7 (4260)	3.15 (80)	3.15 (80)	5	7	3950 (1790)
	131 (3335)	83.5 (2120)	152.4 (3870)	179.5 (4560)	3.15 (80)	3.15 (80)	5	7	3950 (1790)
	139 (3535)	87.4 (2220)	160.2 (4070)	187.4 (4760)	3.15 (80)	3.15 (80)	5	7	3950 (1790)
	147 (3735)	93.7 (2380)	168.1 (4270)	195.2 (4960)	3.15 (80)	3.15 (80)	5	7	3950 (1790)
	159 (4035)	101.2 (2570)	180 (4570)	207.1 (5260)	3.15 (80)	3.15 (80)	5	7	3950 (1790)
	178.5 (4535)	111 (2820)	199.6 (5070)	226.8 (5760)	3.15 (80)	3.15 (80)	5	7	3950 (1790)
	198 (5035)	120.8 (3070)	219.3 (5570)	246.5 (6260)	3.15 (80)	3.15 (80)	5	7	3700 (1680)
Wide Visible Full-Free Lift Mast (FV)	119.5 (3035)	77.5 (1970)	141 (3580)	167.7 (4260)	56.3 (1430)	29.3 (745)	5	7	3950 (1790)
	131 (3335)	83.5 (2120)	152.7 (3880)	179.5 (4560)	62.2 (1580)	35.2 (895)	5	7	3950 (1790)
	139 (3535)	87.4 (2220)	160.6 (4080)	187.4 (4760)	66.1 (1680)	39.2 (995)	5	7	3950 (1790)
	147 (3735)	93.7 (2380)	168.5 (4280)	195.2 (4960)	72.4 (1840)	45.5 (1155)	5	7	3950 (1790)
Wide Visible Full-Free Lift Two-Stage Four-Cylinder Mast (FW)	119.5 (3035)	78.7 (2000)	140 (3555)	167.7 (4260)	56.7 (1440)	28.9 (735)	5	7	3950 (1790)
	131 (3335)	84.6 (2150)	151.8 (3855)	179.5 (4560)	62.6 (1590)	34.8 (885)	5	7	3950 (1790)
	139 (3535)	88.6 (2250)	159.6 (4055)	187.4 (4760)	66.5 (1690)	38.8 (985)	5	7	3950 (1790)
	147 (3735)	92.5 (2350)	167.5 (4255)	195.2 (4960)	70.5 (1790)	42.7 (1085)	5	7	3950 (1790)
Wide Visible Full-Free Lift Three-Stage Mast (FSV)	171 (4335)	77.5 (1970)	190.7 (4845)	218.9 (5560)	57.5 (1460)	29.3 (745)	5	7	3700 (1680)
	178.5 (4535)	80.3 (2040)	198.6 (5045)	226.8 (5760)	60.2 (1530)	32.1 (815)	5	7	3700 (1680)
	186 (4735)	83.5 (2120)	206.5 (5245)	234.6 (5960)	63.4 (1610)	35.2 (895)	5	7	3700 (1680)
	198 (5035)	87.4 (2220)	218.3 (5545)	246.5 (6260)	67.3 (1710)	39.2 (995)	5	7	3420 (1550)
	218 (5535)	93.7 (2380)	238 (6045)	266.1 (6760)	73.6 (1870)	45.5 (1155)	5	7	3130 (1420)
	237.5 (6035)	101.2 (2570)	257.7 (6545)	285.8 (7260)	81.1 (2060)	53 (1345)	5	7	2955 (1340)
Wide Visible Full-Free Lift Three-Stage Four-Cylinder Mast (FSW)	171 (4335)	78 (1980)	190.7 (4845)	218.9 (5560)	56.3 (1430)	28.1 (715)	5	7	3700 (1680)
	178.5 (4535)	80.7 (2050)	198.6 (5045)	226.8 (5760)	59.1 (1500)	30.9 (785)	5	7	3700 (1680)
	186 (4735)	84.6 (2150)	206.5 (5245)	234.6 (5960)	63 (1600)	34.8 (885)	5	7	3700 (1680)
	198 (5035)	88.6 (2250)	218.3 (5545)	246.5 (6260)	67 (1700)	38.8 (985)	5	7	3615 (1640)
	218 (5535)	96.5 (2450)	238 (6045)	266.1 (6760)	74.8 (1900)	46.7 (1185)	5	7	3530 (1600)
	237.5 (6035)	102.4 (2600)	257.7 (6545)	285.8 (7260)	80.7 (2050)	52.6 (1335)	5	7	3240 (1470)
	257 (6535)	110.2 (2800)	277.4 (7045)	305.5 (7760)	88.6 (2250)	60.4 (1535)	5	7	2645 (1200)
	277 (7035)	118.1 (3000)	297 (7545)	325.2 (8260)	96.5 (2450)	68.4 (1735)	5	7	2050 (930)
296.5 (7535)	126 (3200)	316.7 (8045)	344.9 (8760)	104.3 (2650)	76.2 (1935)	5	7	1850 (840)	

* All capacities of 1,500 lbs or less are subject to a secondary review and could be denied by Toyota.
NOTE : Height of standard load backrest is 48 in. (1220 mm).



TOYOTA

TOYOTA



“I’M HERE TO MAKE SURE YOUR FORKLIFTS DON’T TAKE VACATION DAYS.”

Butch - 360 Technician, ProLift, Cincinnati, Ohio



HELP IS ALWAYS HERE WITH TOYOTA 360 SUPPORT.

The industry’s best and most comprehensive dealer network quickly delivers Toyota Certified Technicians to your work site. These specially trained technicians can also help assess your warehouse and facility needs to recommend the right equipment for the job. And with the largest fleet of material handling equipment, Toyota 360 keeps your business running at full speed.

ToyotaForklift.com/360-Support



YOUR BUSINESS IS RIDING ON IT.

Some product features described herein are optional. Please consult your dealer for specifications. Details of specifications and equipment are based on information available at time of printing and may change without notice.