

**4000-7000 lbs (2-3.5 ton)
H3 IC Pneumatic Tire Forklift**

CPCD20-35 & CP(Q)YD20-35



H3 series | HIGH EFFICIENCY
ENERGY SAVING

HELI
LIFTING THE FUTURE

TOP 10 FORKLIFT MANUFACTURER
IN THE WORLD

CPCD20-35 & CP(Q)YD20-35

Heli H3 Series Features

Improved performance, superior quality



> Ergonomics

- > Vibration isolators separate the operator compartment from the main frame and the engine/transmission which absorb the truck's vibration for increased operator comfort
- > Engine performance and repositioned hydraulic pump offer quieter and smoother operation and less noise
- > Improved hydraulic control functions also reduce noise and increase performance

> Operator Comfort - Visibility

- > Operator compartment has been enhanced by creating more foot and leg room with plenty of head room under the overhead guard
- > Visibility has been improved with narrower mast channels and more open overhead guard
- > Higher contrast LED display makes it easier to see in all lighting conditions
- > Comfortable suspension seat is standard with full adjustment for different operators
- > Low, wide step and grab handle make for easy entry to operator's compartment
- > Controls and park brake are within easy reach to reduce operator strain

> Safety

- > All Heli forklifts for North America meet ANSI B56.1 Safety Standard for Powered Industrial Trucks as well as meeting requirements for CE approval
- > All Heli forklifts come standard with Operator Presence System
- > Optional rear grab handle and horn button allows operator to safely drive in reverse
- > Strobes, Beacons or Blue Lights and Alarms are all available as required





> Increased Productivity

- > Smaller turning radius and hydraulic power steering makes for tighter turns and easier steering operation
- > Reliable powershift transmission relieves operator from constantly shifting transmission
- > H3 series hydraulic performance has been enhanced for maximum productivity
- > Ergonomically designed operator's compartment enhances operator productivity, as well as providing safety and comfort

> Improved Performance

- > All aluminum radiator increases air flow and dissipates heat more efficiently
- > Smaller steering wheel with fewer turns lock-to-lock for quicker turns
- > 35% faster lifting speeds over previous generations
Lifting cylinders are damped to reduce noise and provide smoother operation
- > Heavy duty powertrain offers exceptional performance in all applications

> Serviceability

- > Hood opens to an 80 degree angle and floor board is removable for easier access to all important chassis components
- > Electrical system, wiring, and hydraulic hoses are convenient and logically laid out with access from above and below
- > All grease points are accessible, including cast steel axle
- > Lubrication chart is located on front of operator compartment to highlight essential lubrication requirements



CPQC20-35 & CP(Q)YD20-35

Manufacturer and technical parameters

Characteristic									
1.01	Manufacturer								
1.02	Model					CPCD20/ CP(Q)(Y)D20			
1.03	Rated Capacity	lbs	kg	4000		2000			
1.04	Load Center	in	mm	24		500			
1.05	Operation Type								
Dimension Parameter									
2.01	Max.Lifting Height(without backrest)	H	in mm	118.2		3000			
2.02	Overall Lowered Height	H1	in mm	78.8		2000			
2.03	Max.Lifting Height(with backrest)	H2	in mm	158.8		4030			
2.04	Free Lifting Height	H3	in mm	6.5		165			
2.05	Overall Height(to overhead guard)	H4	in mm	84.7		2150			
2.06	Min.Ground Clearance(under mast)	H5	in mm	4.5		115			
2.07	Overhead guard clearance(from seat face)	H6	in in	40.6		1030			
2.08	Tow Pin Height	H9	in mm	10.8		275			
2.09	Backrest Height(From the surface of the fork)	H13	in mm	39.4		1000			
2.10	Overall Length(without Forks)	(L/L')	in mm	101.7		2580			
2.11	Wheelbase	L1	in mm	65		1650			
2.12	Front Overhang	L2	in mm	18.6		473			
2.13	Rear Overhang	L3	in mm	18		457			
2.14	Overall Width	W1	in mm	45.3		1150			
2.15	Tread(Front Tread/Rear Tread)	(W3/W2)	in mm	38.2/38.2		970/970			
2.16	Lateral Fork Adjustment(Outside of Forks)	W5	in mm	40.6/9.6		244/1030			
2.17	Min.Turning Radius Outside	r	in mm	85.5		2170			
2.18	Min.Ground Clearance(wheelbase centre)	r'	in mm	7.1		180			
2.19	Min. Right Angle Stacking Aside Width	Ra	in mm	86.7		2200			
2.20	Mast Tilt(fwd/bwd)	α/β	deg deg	6/12		6/12			
2.21	Fork Dimensions (Length*Width*Thicknes)	L4xWxT	in mm	36*4.8*1.6		920*122*40			
Weights									
3.01	Standard Truck Weight Unload	lbs	kg	7540		3420			
3.02	Weight Distribution Rated Load(front/rear)	lbs	kg	10516/1433		4770/650			
3.03	Weight Distribution Unload(front/rear)	lbs	kg	3527/4013		1600/1820			
Wheels&Tires									
4.01	Wheel Number(x=driven wheel),front/rear								
4.02	Tire Type,front/rear								
4.03	Tire Size,front/rear					7.00-12-12PR/ 6.00-9-10PR			
4.04	Service Brake								
4.05	Parking Brake								

Performance										
Model			CPCD20		CPCD25		CPCD30		CPCD35	
Max.Drawbar pull(Load/unload)	lbf	KN	4280/2740	19/12	4688/2740	21/12	4275/3263	19/14.5	4725/3263	21/14
Max.Gradeability(Load/Unload)	%	%	39/27		36/22		27/21		21/20	
Max.Traveling Speed(Load/Unload)	mph	Km/h	10.6/11.2	17/18	9.9/10.6	16/17	10.6/11.2	17/18	11.2/11.8	18/1
Lifting Speed(Load/unload)	ft/min	mm/s	110/118	560/600	110/118	560/600	98.5/108	500/550	78.8/82.7	400/4
Lowing Speed(Load/unload)	ft/min	mm/s	88.7/98.5	450/500	88.7/98.5	450/500	88.7/108	450/550	69/78.8	350/4
Engine and Gearbox										
Engine Manufacturer/Model			KUBOTA V2403							
Rated Power	hp/rpm	Kw/rpm	57.9/2400	43.2//2400	57.9/2400	43.2//2400	57.9/2400	43.2//2400	57.9/2400	43.2//2
Rated Torque	lb.ft/rpm	Nm/rpm	146.4/1600	198.5/1600	146.4/1600	198.5/1600	146.4/1600	198.5/1600	146.4/1600	198.5/1
Cyl. Number-bore*stroke			4-87x102.4							
Displacement	L	L	2.434							
Engine Type			Diesel							
Emission			Euro IIIB/EPA Tier 4							
Battery Capacity	V/Ah	V/Ah	12/80							
Fuel Tank Capacity	L	L								
Number of speed(fwd/bwd)										



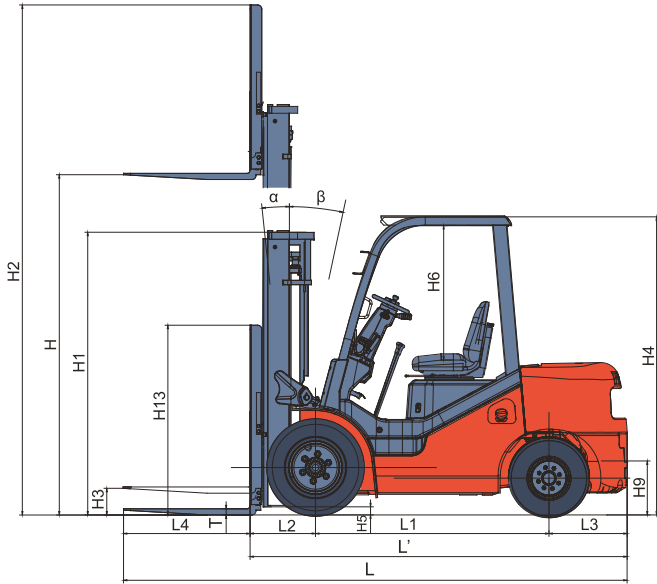
HELI					
CPCD25/ CP(Q)(Y)D25		CPCD30/ CP(Q)(Y)D30		CPCD35/ CP(Q)(Y)D35	
5000	2500	6000	3000	7000	3500
24	500	24	500	24	500
Seat-type					
118.2	3000	118.2	3000	118.2	3000
78.8	2000	81.4	2065	85.9	2180
158.8	4030	167.3	4245	166.9	4235
6.5	165	6.3	160	6.7	170
84.7	2150	85.5	2170	85.5	2170
4.5	115	5.3	135	5.3	135
40.6	1030	40.6	1030	40.6	1030
10.8	275	11	280	11	280
39.4	1000	48.3	1227	48.1	1222
103.9	2638	108.3	2748	109	2766
65	1650	67	1700	67	1700
18.6	473	18.8	478	19.5	496
20.3	515	22.5	570	22.5	570
45.3	1150	48.3	1225	48.3	1225
38.2/38.2	970/970	39.4/38.2	1000/970	39.4/38.2	1000/970
40.6/9.6	244/1030	41.8/9.9	250/1060	41.8/9.9	250/1060
88.3	2240	94.6	2400	95.3	2420
7.1	180	7.9	200	7.9	200
89.8	2280	93.8	2380	94.6	2400
6/12	6/12	6/12	6/12	6/12	6/12
42*4.8*1.6	1070*122*40	42*4.9*1.8	1070*125*45	42*4.9*2.0	1070*125*50
8377	3800	9634	4370	10582	4800
12081/1808	5480/820	14242/2006	6460/910	16468/1830	7470/830
3439/4938	1560/2240	3770/5864	1710/2660	4145/6437	1880/2920
2X/2					
Pneumatic Tire					
7.00-12-12PR/ 6.00-9-10PR		28×9-15-12PR/ 6.50-10-10PR		28×9-15-14PR/ 6.50-10-10PR	
Hydraulic-Foot Pedal					
Mechanical-Hand Lever					

	CPCD20		CPCD25		CPCD30		CPCD35		CP(Q)(Y)D20		CP(Q)(Y)D25		
4.5	3600/2588	16/11.5	3713/2588	16.5/11.5	4275/3263	19/14.5	4275/3263	21/14.5	3375/2363	15/10.5	3375/2363	15/10.5	38
	20/20		20/20		23/20		21/20		33/26		31/22		
9	10.6/11.8	17/19	10.6/11.8	17/19	11.8/12.4	19/20	11.8/11.8	19/19	11.2/11.8	18/19	11.2/11.8	18/19	11
20	110/118	560/600	110/118	560/600	98.5/108	500/550	78.8/82.7	400/420	98.5/108	500/550	98.5/108	500/550	94
00	88.7/98.5	450/500	88.7/98.5	450/500	88.7/108	450/550	69/78.8	350/400	88.7/98.5	450/500	88.7/98.5	450/500	88

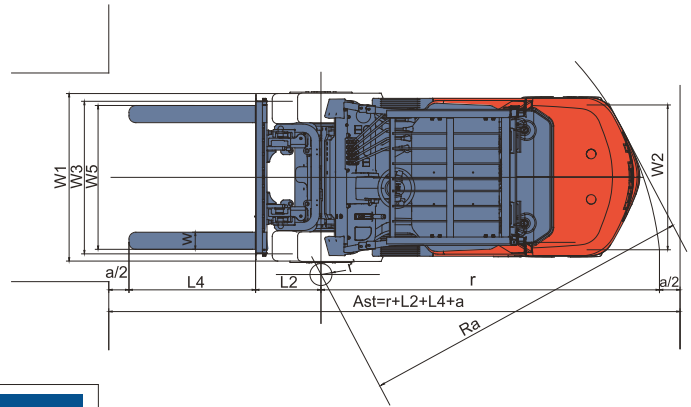
KUBOTA V2403									Mitsubishi 4G					
2400	45.7/2400	34.1/2400	45.7/2400	34.1/2400	45.7/2400	34.1/2400	45.7/2400	34.1/2400	GAS:64.3/2700	GAS:48/2700	GAS:64.3/2700	GAS:48/2700	GAS:64.3/2700	GAS:48/2700
600	115.1/1800	155.9/1800	115.1/1800	155.9/1800	115.1/1800	155.9/1800	115.1/1800	155.9/1800	LPG:61.6/2700	LPG:46/2700	LPG:61.6/2700	LPG:46/2700	LPG:61.6/2700	LPG:46/2700
									LPG:125.5/2400	LPG:170/2400	LPG:125.5/2400	LPG:170/2400	LPG:125.5/2400	LPG:170/2400
									LPG:124/1600	LPG:168/1600	LPG:124/1600	LPG:168/1600	LPG:124/1600	LPG:168/1600
	4-87x102.4								4-86.5x102.4					
	2.434								2.351					
	Diesel								GAS/LPG					
	Euro IIIA/EPA T4I								Tier IV					
	12/80								12/60					

60

1-1 Power Shift T/M / 2-2 Manual Shift T/M

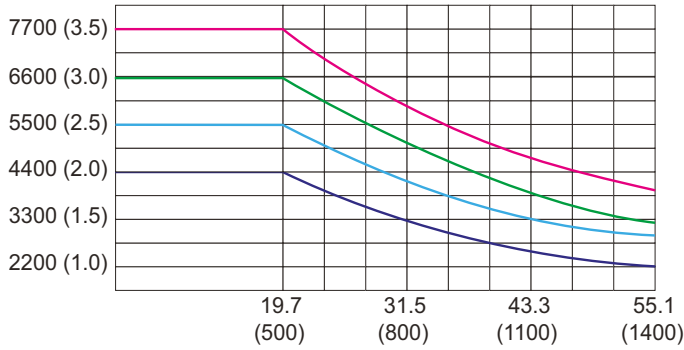


Ast: right angle stacking aisle width
 a: Clearance
 L4: Fork Length



Load curve

CAPACITY [lb (mt)]



LOAD CENTER [in (mm)]

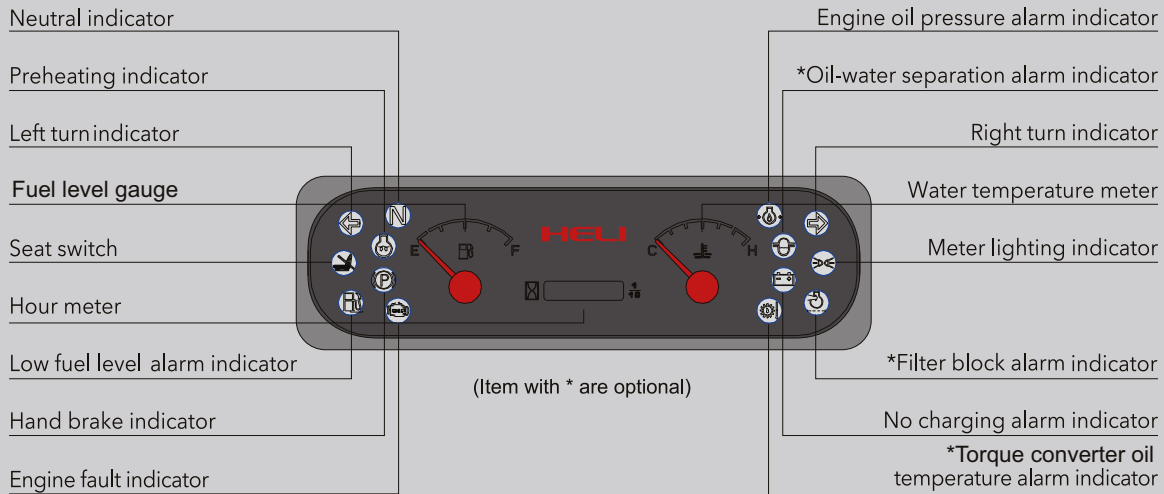
- CP(Q)(Y)20
- CP(Q)(Y)D20
- CPCD20
- CP(Q)(Y)25
- CP(Q)(Y)D25
- CPCD25
- CP(Q)(Y)30
- CP(Q)(Y)D30
- CPCD30
- CP(Q)(Y)35
- CP(Q)(Y)D35
- CPCD35

NOTE: Capacities shown are reference only. They are computed with mast in vertical position based on 48 inch cube load configuration with center of gravity at true center of cube and standard forks. Longer forks and unusually wide loads can reduce capacity. Consult dealer for any questions about capacities.

Technical Specifications

CP(Q)(Y)D30		CP(Q)(Y)D35		CP(Q)(Y)D20		CP(Q)(Y)D25		CP(Q)(Y)D30		CP(Q)(Y)D30	
25/3038	17/13.5	4050/3038	18/13.5	3600/2363	16/10.5	3713/2363	16.5/10.5	4050/3038	18/13.5	4500/3038	20/13.5
31/22		18/21		23/12		23/12		22/13		21/20	
11.8/11.8	19/19	11.8/11.8	19/19	11.8/12.4	19/20	11.8/12.4	19/20	11.8/12.4	19/20	11.8/12.4	19/20
4.6/106	480/540	80.8/88.7	410/450	112/122	570/620	112/122	570/620	94.6/106	480/540	80.8/88.7	410/450
8.7/108	450/550	69/78.8	350/400	88.7/98.5	450/500	88.7/98.5	450/500	88.7/108	450/550	69/78.8	350/400
64(Psi)				GM3.0							
GAS:64.3/2700	GAS:48/2700	GAS:64.3/2700	GAS:48/2700	67/2700	50/2700	67/2700	50/2700	67/2700	50/2700	67/2700	50/2700
LPG:61.6/2700	LPG:46/2700	LPG:61.6/2700	LPG:46/2700								
GAS:125.5/2400	GAS:170/2400	GAS:125.5/2400	GAS:170/2400	150/1800	202.7/1800	150/1800	202.7/1800	150/1800	202.7/1800	150/1800	202.7/1800
LPG:124/1600	LPG:168/1600	LPG:124/1600	LPG:168/1600								
				4-102x91.5							
				3							
				GAS/LPG							
				Tier IV							
				12/80							

Heli Dash Display



Heli's display is conveniently placed on the dash so operator can monitor truck's working condition, fault codes and other vital information

Standard Configuration

Horn	Transmission oil filter	Overhead guard rain cover	2 forward headlights
Control valve	Cable type parking brake	Standard forks	Hydraulic oil dipstick
Oil pressure alarm	Metric tool case	Hydraulic oil filter	Overhead guard
Hydraulic-powered steering	Complete front-rear light package	Wide view mast	Torque converter oil dipstick
Load backrest	Back-up alarm	Pneumatic tires (standard)	Combined instrument panel
Rear view mirror	Adjustable steering column	Tow pin	

Optional

Cab	Solid tires	Wind shield w/wiper	Torque converter oil temperature meter
Amber flashing light	Non-marking tires	Fire extinguisher	Customer colors
Suspension seat	Wide carriage	Rear working light	Attachments



检测 CNAS L7096

HELI CANADA

5705, place Kubota
Drummondville (Qc)
Canada, J2B 6V4
1-833-HELICAN
info@heliforklift.ca
heliforklift.ca

