

ML12C/ML18C/ML24C

MATERIAL LIFTS

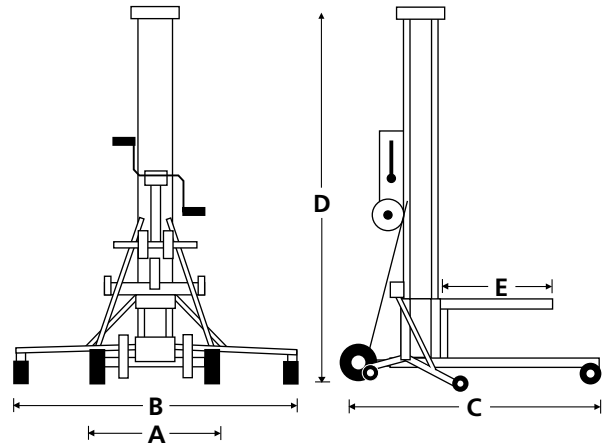


- A high specification material lift, with best-in-class load capacity
- Can pass through a standard doorway
- Robust and reliable, built to handle the demands of the rental industry
- Features a dual handle, shift-on-the-fly, two-speed winch for improved productivity

snorkel
www.snorkellifts.com

MATERIAL LIFTS ML12C/ML18C/ML24C

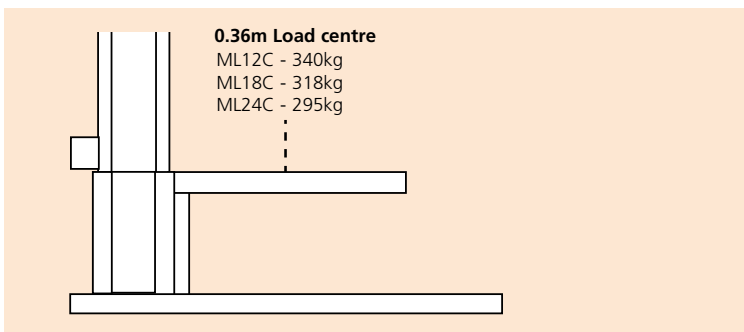
DIMENSIONS	ML12C	ML18C	ML24C
Lift height – forks up	4.0m	5.6m	7.4m
Lift height – forks down	3.5m	5.1m	6.9m
Stowed width (A)	0.77m	0.77m	0.77m
Stabilizer width (B)	1.63m	1.63m	1.63m
Stowed length	0.85m	0.85m	0.85m
Operating length (C)	1.75m	1.86m	2.06m
Stowed height (D)	2.2m	2.2m	2.2m
Fork width (outside)	0.58m	0.58m	0.58m
Fork length (E)	0.76m	0.76m	0.76m
Ground clearance	60mm	60mm	60mm



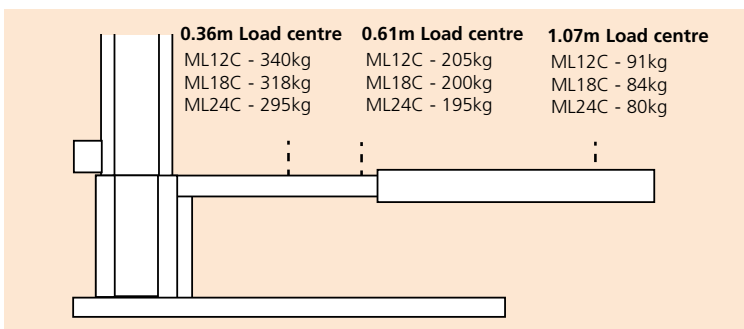
PERFORMANCE	ML12C	ML18C	ML24C
Max. load capacity (0.36m load centre)	340kg	318kg	295kg
Max. load capacity (0.61m load centre)	205kg	200kg	195kg
Max. load capacity (1.07m in load centre)	91kg	84kg	80kg
Min. load height	150mm	150mm	150mm
Winch (high speed)		13.1 cranks/m	
Winch (low speed)		49.2 cranks/m	

WEIGHT	ML12C	ML18C	ML24C
Weight	111kg	141kg	162kg

LOAD CAPACITY - STANDARD FORKS



LOAD CAPACITY - EXTENDED FORKS



STANDARD FEATURES

- Stabilizers with non-marking swivel casters (ML18C & ML24C)
- Mast brake
- Cable guard
- Non-marking transport/loading wheels
- Dual handle, two-speed shift-on-the-fly winch
- Metal cable pulleys with sealed bearings
- Heavy-gauge aluminium extrusions
- Heavy-duty, non-marking casters
- Quick-fold stabilizers
- Crane attachment point
- 2 year parts & labor, 5 year structural warranty
- Smart latch system
- ANSI compliant

OPTIONS

- Special paint colors
- Adjustable forks
- Boom
- Pipe cradle
- Fork extensions
- Load platform
- Stabilizers with non-marking swivel casters
- CSA compliant

snorkel www.snorkellifts.com

P.O. Box 1160
 St. Joseph, MO 64502-1160, USA
 Tel: 1 (785) 989-3000
 Toll-free: 1 (800) 255-0317
 Fax: 1 (785) 989-3070
 Email: sales.usa@snorkellifts.com