



2200-2400 G SERIES



- 6-12,000 LB. CAPACITY
- LIFT HEIGHTS TO 30 FT.
- C-THRU ROLLER MASTS
- OIL IMMERSED DISC BRAKES
- HIGH VISIBILITY OPERATORS COMPARTMENT
- ERGONOMIC CONTROLS
- EASY ON AND OFF ACCESS
- AVAILABLE FOUR WHEEL DRIVE
- FULL RANGE OF ATTACHMENTS
- FUEL EFFICIENT EPA COMPLIANT DIESEL ENGINE

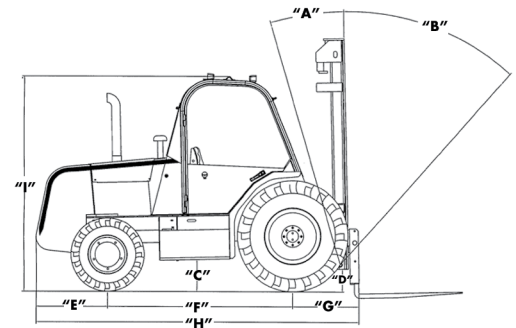
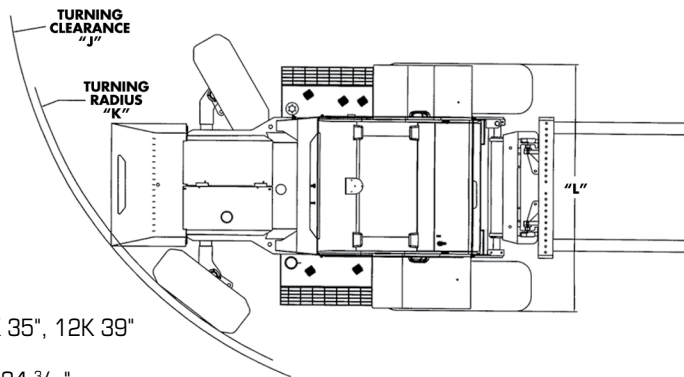
LOAD LIFTER FEATURES DO WORK FOR YOU

MACHINE APROX. WEIGHTS

6,000 lb - 6352 kg (14,400 lbs)
 8,000 lb - 7031 kg (15,500 lbs)
 10,000 lb - 8029 kg (17,700 lbs)
 12,000 lb - 8890 kg (19,600 lbs)

MACHINE DIMENSIONS

A (Tilt Back) 14°
 B (Tilt Forward) 24°
 C (Machine Ground Clearance) 15"
 D (Mast Ground Clearance) 12"
 E (Counterweight Overhang) 6-10K 35", 12K 39"
 F (Wheelbase) 83"
 G (C/L Drive Axle to Face of Forks) 34 3/16"
 H (Overall Length to Face of Forks) 6-10K 152 1/4", 12K 156 1/4"
 I (Overall Height Top of Canopy) 97"
 J (Turning Clearance) 2WD 173 1/2", 4WD 179"
 K (Turning Radius) 2WD 168", 4WD 175"
 L (Overall Width) 84"



ENGINE

Make FPT F34
 Displacement 3.4 Litres (207.5 cu. in.)
 Gross H.P. 74.3 H.P. (55 KW.)
 Maximum Torque 291 NM. @ 1600 RPM (214.6 lb-ft)
 Rated Speed 2500 RPM.

FLUID CAPACITIES

Cooling System	11.5 litres / 12.2 Quarts
Engine Oil	6.8 litres / 7.2 Quarts
Fuel	100 litres / 26.4 U.S. Gal.
Hydraulic Oil	85 litres / 22.5 U.S. Gal.
Transmission Oil	21.4 litres / 22.2 Quarts

TRANSMISSION

Type 4 Speed Synchromesh with Power Reverser & Torque Converter
 Speeds
 1 4.6 km (2.9 mph)
 2 9.6 km (6.0 mph)
 3 17.6 km (11 mph)
 4 29.6 km (19 mph)

BRAKES

Service Hydraulic Multiple Wet Disc
 Parking Manual External Disc on Transmission

HYDRAULIC SYSTEM

Pump Gear Type System c/w Load Sense Steering Circuit
 Filter 25 Micron Replaceable Element
 Modular Control Valve c/w Tilt Lock System

AXLES

Drive Heavy Duty Outboard Planetary Drive
 Steer 2 WD Large 8" x 4" Solid Beam c/w Oversize Center Steer Control and Track Rod Design, Large Tapered Roller Bearing Spindle Wheel Ends
 Steer 4 WD High Strength Cast Steel Housing c/w Planetary Drive Wheel Ends and 50° Lock Angle

ELECTRICAL SYSTEM

Volts 12
 Alternator 100 Amp.
 Instrumentation Full LED Display

TIRES

Drive	6,000 lb. and 8,000lb.	16.9 x 24 - 12 ply lug
	10,000 lb. and 12,000lb.	15.5 x 25 - 12 ply lug
Steer	6,000 lb.	2WD 11:00 x 16 12 ply
	8,000 lb. to 12,000 lb.	2WD 14 x 17.5 14 ply
		4WD All 14 x 17.5 14 ply lug

STANDARD EQUIPMENT

- 6" Mast Side Shift
- 4 Speed Synchromesh Transmission
- Power Reverser
- Electric Column Shift
- Tilt & Telescopic Steering Console
- Hydrostatic Power Load Sense Steering
- Safety Start
- Dry Type Air Cleaner
- Retractable Seat Belts
- Height Adjustable Seat
- Digital Touch Screen Display
- Overhead F.O.P.S. Canopy
- Circuit Breakers
- Block Heater
- Manifold Heater
- Heavy Duty Battery
- Anti Freeze -40
- Horn
- Four Work Lights
- Transmission De Clutch
- 14 foot C-Thru Mast
- 48" Carriage 5-6,000 lb
- 60" Carriage 8-12,000 lb
- 48" Forks

OPTIONAL EQUIPMENT

- "Smart Shift" Full Powershift Transmission
- All Steel Ergonomic Cab Assembly
- Mirrors
- Air Conditioning
- Suspension Seat
- Air Ride Seat
- Cold Weather Package
- Vandalism Package
- Rear Tire Fenders
- Overhead R.O.P.S Cab Assembly
- High Air Intake
- Cyclonic Pre-Cleaner
- Power Brakes
- Lift Circuit Cushion Accumulator
- Range of Fork Positioners
- Load Clamp
- Hydraulic Bucket
- Full Range of Attachments
- Twin Pak Dual Pallet Turf Handling System
- Front Fender Extensions

This information contained herein is general in nature and not intended for specific application purpose. Load Lifter reserves the right to make changes in specifications, make improvements, or discontinue manufacture at any time without notice or obligation.

LOAD LIFTER MANUFACTURING LTD.
 3 Anderson Blvd., Uxbridge, Ontario, Canada, L9P 0G5
 Tel. 905-642-9756, Fax. 905-640-1437, www.load-liftermfg.com, info@load-liftermfg.com

