



4400-G SERIES



- 10-16,000 LB CAPACITY RANGE
- FULL TIME FOUR WHEEL DRIVE
- THREE AVAILABLE STEERING MODES
- OUTBOARD PLANETARY DRIVE AXLES
- OIL IMMERSED DISC BRAKES
- HEAVY DUTY POWERSHIFT TRANSMISSION
- FOUR CYLINDER TURBOCHARGED EPA COMPLIANT ENGINE
- RESPONSIVE HYDRAULICS
- HEAVY DUTY RANGE OF C-THRU ROLLER MASTS
- FULL RANGE OF ATTACHMENTS
- ISOLATED ROOMY OPERATORS MODULE
- SUPERIOR OPERATOR VISIBILITY

*Model 4414-12G
complete with individual
control fork positioner*



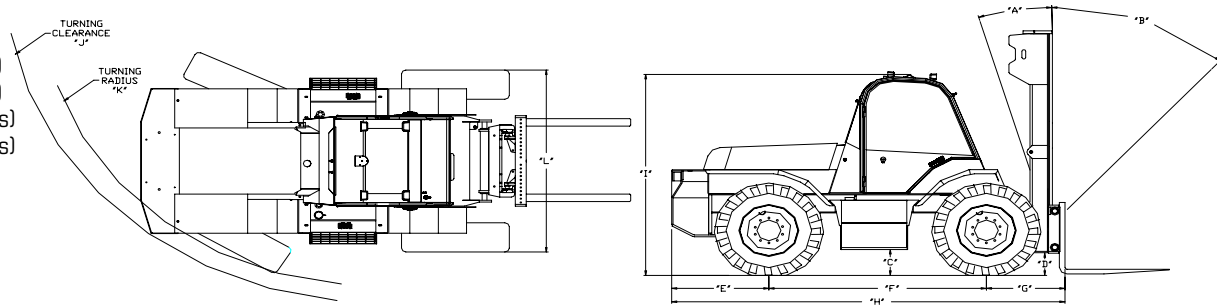
LOAD LIFTER FEATURES DO WORK FOR YOU

MACHINE APROX. WEIGHTS

10,000 LB - 8,596 Kg (18,950 lbs)
 12,000 LB - 9,253 Kg (20,400 lbs)
 14,000 LB - 10,228 Kg (22,550 lbs)
 16,000 LB - 11,090 Kg (24,450 lbs)

MACHINE DIMENSIONS

A (Tilt Back) 14°
 B (Tilt Forward) 24°
 C (Machine Ground Clearance) 13"
 D (Mast Ground Clearance) 14"
 E (Counterweight Overhang) 47"
 F (Wheelbase) 100"
 G (C.V. Drive Axle to Face of Forks) 36"
 H (Overall Length to Face of Forks) 181"
 I (Overall Height Top of Canopy) 107"
 J (Turning Clearance) 186"
 K (Turning Radius) 174"
 L (Overall Width) 96"



ELECTRICAL SYSTEM

| | |
|-----------------|------------------|
| Volts | 12 |
| Alternator | 100 Amp. |
| Instrumentation | Full LED Display |

ENGINE

| | 10K to 12K | 14K to 16K |
|----------------|-------------------------------------|-------------------------------------|
| Make | PERKINS 854F-E34T | PERKINS 854F-E34TA-F2F |
| Displacement | 3.4 Litres (207.5 cu. In.) | 3.4 Litres (207.5 cu. In.) |
| Gross B.H.P. | 74.3 KW. (55 H.P.) | 121 KW. (90 H.P.) |
| Maximum Torque | 291 NM. @ 1600 RPM (214.6 lb-ft) | 490 NM. @ 1400 RPM (664.6 lb-ft) |
| Rated Speed | 2500 RPM. | 2200 RPM |

FLUID CAPACITIES

| | |
|----------------|---|
| Cooling System | 11.5 Litres (12.2 Qts.) |
| Engine Oil | 6.8 Litres (7.2 Qts.) |
| Fuel Tank | 159 Litres (42 Gal.) |
| Hydraulic Tank | 141 Litres (37.2 Gal.) |
| Transmission | 18.9 Litres (20 Qts.) |
| Axle | Individual Hub Center Housing Front Center Housing Rear |
| | 1.9 Litres (2 Qts.) 16 Litres (16.9 Qts.) 15 Litres (15.9 Qts.) |

TRANSMISSION

| | |
|--------|---|
| Type | 3F/3R Speed 20,000 Series Powershift |
| Speeds | 1 4.3 km (2.7 mph) 2 10.0 km (6.2 mph) 3 29.5 km (18.3 mph) |

BRAKE

Hydraulic Power Oil Immersed disc brakes

HYDRAULIC SYSTEM

| | |
|--|---|
| Pump | Gear Type System |
| Filter | Full Load Sense Steering Circuit 25 Micron Replaceable Element |
| Modular Control Valve c/w Tilt Lock System | |

AXLES

| | |
|-------------|---|
| Drive/Steer | Clark Outboard Planetary 4 wheel drive |
|-------------|---|

TIRES

| | | |
|-------------|------------|--------------------|
| Drive/Steer | 10K to 12K | 15.5 x 25 - 12 ply |
| Drive/Steer | 14K to 16K | 15.5R x 25 Radial |

STANDARD EQUIPMENT

- 3F/3R Speed 20,000 Series Transmission
- Electric Column Shift
- Tilt & Telescopic Steering Console
- Hydrostatic Power Load Sense Steering
- Safety Start
- Dry Type Air Cleaner
- Retractable Seat Belt
- Height Adjustable Seat c/w Arm Rests
- L.E.D. INSTRUMENT DISPLAY (Hour Meter, Fuel Level, Coolant Temp, Alt, Pre Heater, Oil Pressure Gauge, Low Oil Press Warning, Trans Temp, Work Light Indicator, Park Brake, Work Light Switch)
- Engine Temp
- Fuel Level
- Water Temp
- Power Brakes
- Circuit Breakers
- Block Heater
- Heavy Duty Battery
- Anti Freeze -40°C
- Horn
- Four Work Lights
- Directional signals
- Marker lights
- Reverse lights
- Brake lights
- Overhead F.O.P.S. Canopy
- Transmission De Clutch
- 14" C-Thru Mast
- 60" Shaft Carriage
- 48" Forks

OPTIONAL EQUIPMENT

- Air Ride Swivel Seat
- Suspension Seats
- Cold Weather Package
- Murphy Shutdown Systems
- Exhaust Purifier
- High Air Intake
- Cyclonic Pre-Cleaner
- Lift Circuit Cushion Accumulator
- Pintle Hook
- Snow Blade
- Marine Negative Masts
- Hydraulic Bucket
- R.O.P.S. & F.O.P.S Cabs+
- Air Conditioning
- Mirrors
- Fork Positioner
- Load Grapple
- Full Range of Attachments

This information contained herein is general in nature and not intended for specific application purpose. Load Lifter reserves the right to make changes in specifications, make improvements, or discontinue manufacture at any time without notice or obligation.

LOAD LIFTER MANUFACTURING LTD.
 3 Anderson Blvd., Stouffville, Ontario, Canada, L4A 7X4
 Tel. 905-642-9756, Fax. 905-640-1437, www.load-liftermfg.com, info@load-liftermfg.com





4400 G SERIES



4414-20G COMPLETE WITH 2 STAGE HYDRAULIC PIPE CLAMP SHOWN



- 18-20,000 LB CAPACITY RANGE
- FULL TIME FOUR WHEEL DRIVE
- OUTBOARD PLANETARY DRIVE AXLES
- OIL IMMERSED DISC BRAKES
- HEAVY DUTY POWERSHIFT TRANSMISSION
- FOUR CYLINDER EPA COMPLIANT ENGINE
- MODULAR COOLING SYSTEM
- HEAVY DUTY C-THRU ROLLER MASTS
- ISOLATED ROOMY OPERATORS MODULE
- CERTIFIED FOPS ROPS STRUCTURE
- SUPERIOR OPERATOR VISIBILITY

LOAD LIFTER FEATURES DO WORK FOR YOU

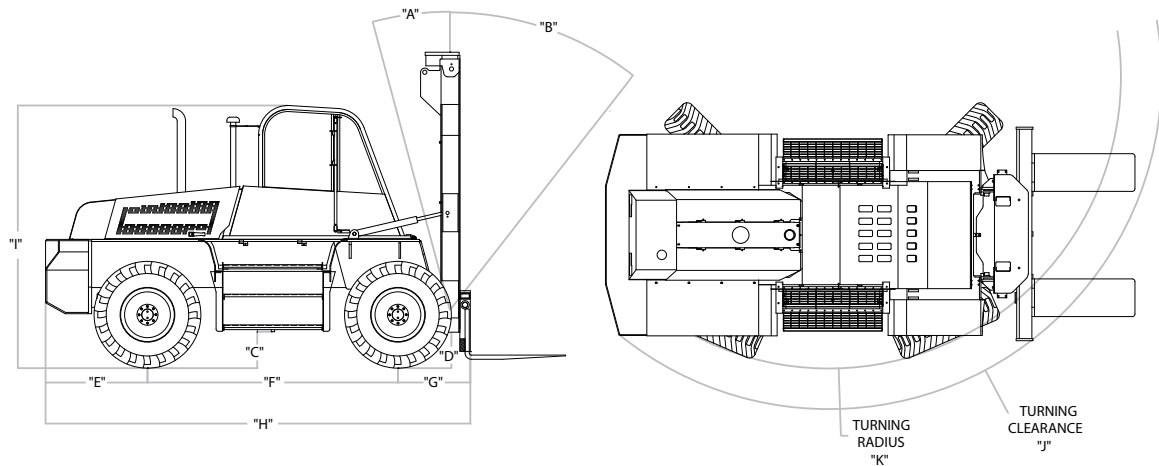
SPECIFICATIONS

MACHINE APROX. WEIGHTS

18,000 LB- 14,969 Kg (33,000 lbs)
20,000 LB- 15,818 Kg (34,800 lbs)

MACHINE DIMENSIONS

A (Tilt Back) 14°
B (Tilt Forward) 18°
C (Machine Ground Clearance) 15"
D (Mast Ground Clearance) 14"
E (Counterweight Overhang) 49"
F (Wheelbase) 125"
G (C/L Drive Axle to Face of Forks) 40⁵/₈"
H (Overall Length to Face of Forks) 209"
I (Overall Height Top of Cab) 124"
J (Turning Clearance) 212"
K (Turning Radius) 192¹/₂"
L (Overall Width) 102"



ENGINE

Make: Perkins 1204F-E44TTAN Turbo Diesel
Displacement: 4.4 Litres
Gross HP: 129.8 KW (174 H.P.)
Torque: 750 N.m.
Rated Speed: 1400 r.p.m.

FLUID CAPACITIES

Cooling System: 15.5 litres / 12.2 Quarts
Engine Oil: 15.1 litres / 16 Quarts
Fuel: 100 litres / 26.4 U.S. Gal.
Hydraulic Oil: 215 litres / 56.8 U.S. Gal.

TRANSMISSION

Type: 4F/3R Speed 24,000 Series Powershift
Speeds:
1 4.2 km (2.6 mph)
2 9 km (5.6 mph)
3 20 km (12.5 mph)
4 27 km (17 mph)

BRAKE

Hydraulic Power Oil Immersed disc brakes

HYDRAULIC SYSTEM

Pump: Tandem Gear Type System
Full Load Sense Steering Circuit
Modular Control Valve c/w Tilt Lock System

AXLES

Drive/Steer

Clark Outboard
Planetary 4 wheel drive

ELECTRICAL SYSTEM

Volts: 12
Alternator: 100 amp.

TIRES

Drive/Steer

17.5R x 25

STANDARD EQUIPMENT

- 4F/3R Speed 24,000 Series Transmission
- Electric Column Shift
- Tilt & Telescopic Steering Console
- Hydrostatic Power Load Sense Steering
- Safety Start
- Dry Type Air Cleaner
- Retractable Seat Belts
- Height Adjustable Seat c/w Arm Rest
- L.E.D. INSTRUMENT DISPLAY (Hour Meter, Fuel Level, Coolant Temp, Alt, Pre Heater, Oil Pressure Gauge, Low Oil Press Warning, Trans Temp, Work Light Indicator, Park Brake, Work Light Switch)

- Engine Temp
- Water Temp
- Engine Oil Pressure
- Power brakes
- Murphy Powerview Display
- R.O.P.S. / F.O.P.S Cab
- Circuit Breakers
- Block Heater
- Heavy Duty Battery
- Anti Freeze -40°C
- Horn
- Four Work Lights
- Directional signals

OPTIONAL EQUIPMENT

- 32,000 Series Transmission
- Air Ride Swivel Seat
- Cold Weather Package
- Murphy Shutdown Systems
- Exhaust Purifier
- High Air Intake
- Cyclonic Pre-Cleaner
- Lift Circuit Cushion Accumulator
- Pintle Hook
- Fork Positioner
- Load Clamp
- Hydraulic Bucket
- Full Range of Attachments
- Marine Negative Masts

This information contained herein is general in nature and not intended for specific application purpose. Load Lifter reserves the right to make changes in specifications, make improvements, or discontinue manufacture at any time without notice or obligation.



LOAD LIFTER MANUFACTURING LTD.

3 Anderson Blvd., Stouffville, Ontario, Canada, L4A 7X4

Tel. 905-642-9756, Fax. 905-640-1437, www.load-liftermfg.com, info@load-liftermfg.com



4400-F SERIES



- 25,000 LBS. CAPACITY
- FULL TIME FOUR WHEEL DRIVE
- OUTBOARD PLANETARY DRIVE AXLES
- OIL IMMERSSED DISC BRAKES
- HEAVY DUTY POWERSHIFT TRANSMISSION
- SIX CYLINDER EPA COMPLIANT ENGINE
- MODULAR COOLING SYSTEM
- HEAVY DUTY C-THRU ROLLER MASTS
- SUPERIOR OPERATOR VISIBILITY
- CERTIFIED F.O.P.S. STRUCTURE
- FULL RANGE OF ATTACHMENTS AVAILABLE

*4414-25F complete
with sidsifting fork
positioner.*



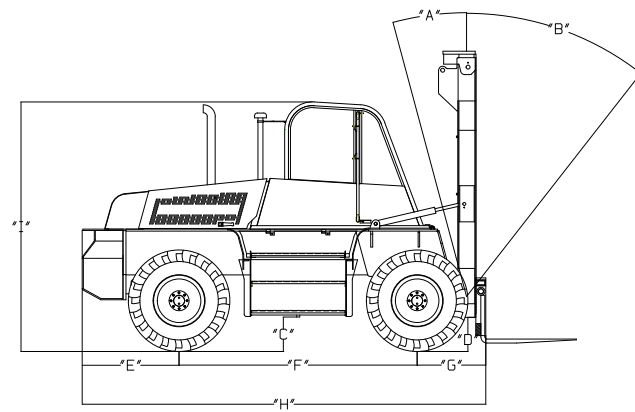
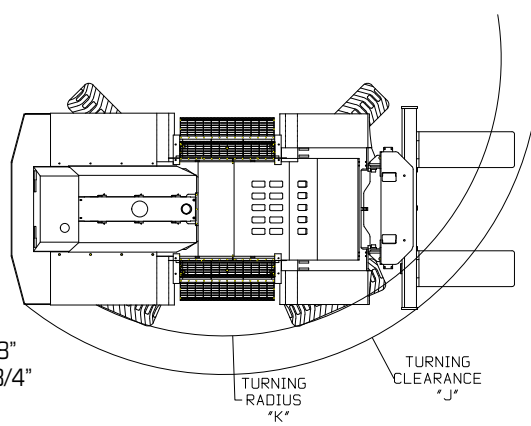
LOAD LIFTER FEATURES DO WORK FOR YOU

MACHINE APROX. WEIGHTS

25,000lb 19,822kg. (43,700 lbs)

MACHINE DIMENSIONS

- A (Tilt Back) 14°
- B (Tilt Forward) 18°
- C (Machine Ground Clearance) 16 3/4"
- D (Mast Ground Clearance) 13 1/2"
- E (Counterweight Overhang) 59 5/8"
- F (Wheelbase) 135"
- G (C/L Drive Axle to Face of Forks) 47 7/8"
- H (Overall Length to Face of Forks) 242 3/4"
- I (Overall Height Top of Cab) 134 1/2"
- J (Turning Clearance) 256"
- K (Turning Radius) 244"
- L (Overall Width) 98"



ENGINE

Make Perkins, 6 Cylinders Turbo Diesel
 Displacement 6.6 Liters (403 cu.in)
 B.H.P. 129.8 K.W. 174 H.P.
 Maximum Torque 695 Nm 514.3 ftlbs
 Rated Speed 2200 RPM

FLUID CAPACITIES

Cooling Systems 15.5 liters (12.2 Quarts)
 Engine Oil 15.1 liters (16 Quarts)
 Fuel 189.5 liters (50 US Gallons)
 Hydraulic Oil 215 liters (56.8 US Gallons)
 Brake Cooling Tank 65 liters (17.17 US Gallons)

TRANSMISSION

Type 4F/4R Speed 32,000 Series Power Shift
 Maximum Speeds
 1. 4.2 km/h (2.6 mph)
 2. 9 km/h (5.6 mph)
 3. 20 km/h (12.5 mph)
 4. 27 km/h (17 mph)

BRAKE

Hydraulic Power Oil Immersed disc brakes

AXLES

Drive/Steer Kessler Outboard
 Planetary 4 Wheel Drive

HYDRAULIC SYSTEM

Pump Tandem Gear Type System
 Full Load Sense Steering Circuit
 Modular Control Valve c/w Tilt Lock System

TIRES

Drive/Steer 25,000 lbs. 1600R25 AIN 46

ELECTRICAL SYSTEM

Volts 12
 Alternator 85 Amp.

STANDARD EQUIPMENT

- 4F/4R Speed 32,000 Series Transmission
- Electric Column Shift
- Tilt & Telescopic Steering Console
- Hydrostatic Power Load Sense Steering
- Safety Start
- Dry Type Air Cleaner
- Retractable Seat Belts
- Height Adjustable Suspension Seat c/w Arm Rests
- Engine Temp
- Engine Oil Pressure
- Fuel Level
- Water Temp.
- Power Brakes
- Murphy Power View Display
- F.O.P.S. Cab
- Hour meter
- Circuit Breakers
- Block Heater
- Heavy Duty Battery
- Anti-Freeze -40°C
- Horn
- Four Work Lights
- Directional signals
- Marker lights
- Reverse lights
- Brake lights
- Transmission De Clutch
- 14' C-Thru Mast
- 60" Shaft Carriage
- 48" Forks

OPTIONAL EQUIPMENT

- Air Ride Swivel Seat
- Mirrors
- Windshield Washer Kit
- Air Conditioning
- Cold Weather Package
- Exhaust Purifier
- High Air intake
- Cyclonic Pre-Cleaner
- Lift Circuit Cushion Accumulator
- Pintle Hook
- Fork Positioners
- Load Grapples
- Hydraulic Bucket
- Full Range of Attachments
- Marine Negative Lift Masts

This information contained herein is general in nature and not intended for specific application purpose. Load Lifter reserves the right to make changes in specifications, make improvements, or discontinue manufacture at any time without notice or obligation.



LOAD LIFTER MANUFACTURING LTD.
 3 Anderson Blvd., Stouffville, Ontario, Canada, L4A 7X4
 Tel. 905-642-9756, Fax. 905-640-1437, www.load-liftermfg.com, info@load-liftermfg.com



4400-F SERIES



- 30,000 LBS. CAPACITY
- FULL TIME FOUR WHEEL DRIVE
- OUTBOARD PLANETARY DRIVE AXLES
- OIL IMMERSSED DISC BRAKES
- HEAVY DUTY POWERSHIFT TRANSMISSION
- SIX CYLINDER EPA COMPLIANT ENGINE
- MODULAR COOLING SYSTEM
- HEAVY DUTY C-THRU ROLLER MASTS
- SUPERIOR OPERATOR VISIBILITY
- CERTIFIED F.O.P.S. STRUCTURE
- FULL RANGE OF ATTACHMENTS AVAILABLE

*4414-30F complete
with sidsifting
fork positioner*



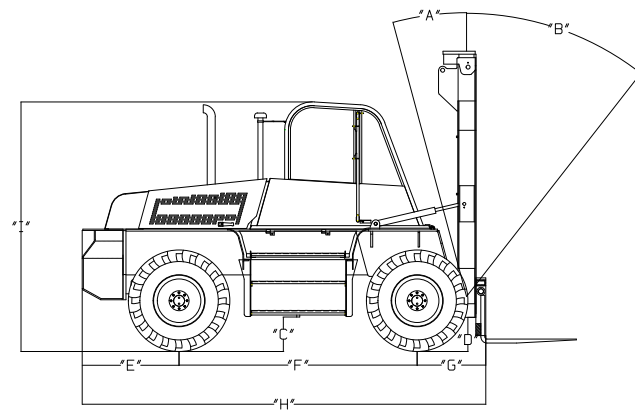
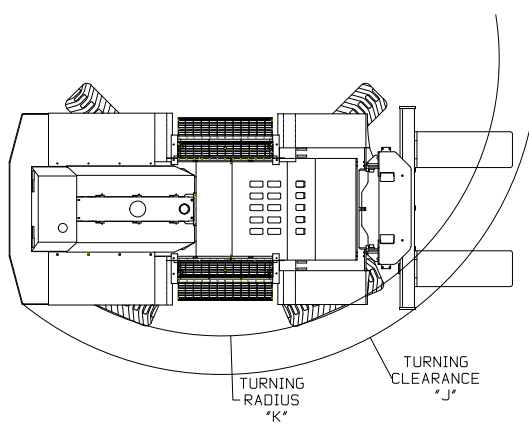
LOAD LIFTER FEATURES DO WORK FOR YOU

MACHINE APROX. WEIGHTS

24,091 kg. (53,000 lbs)

MACHINE DIMENSIONS

- A (Tilt Back) 14°
- B (Tilt Forward) 18°
- C (Machine Ground Clearance) 17"
- D (Mast Ground Clearance) 11 1/2"
- E (Counterweight Overhang) 70"
- F (Wheelbase) 155"
- G (C/L Drive Axle to Face of Forks) 54"
- H (Overall Length to Face of Forks) 280"
- I (Overall Height Top of Cab) 138"
- J (Turning Clearance) 261"
- K (Turning Radius) 247"
- L (Overall Width) 110"



ENGINE

Make Perkins, 6 Cylinders Turbo Diesel
 Displacement 6.6 Liters (403 cu.in)
 B.H.P. 168 K.W. 225 H.P.
 Maximum Torque 1394 Nm 1028 ftlbs
 Rated Speed 1400 RPM

FLUID CAPACITIES

Cooling Systems 15.5 liters (12.2 Quarts)
 Engine Oil 15.1 liters (16 Quarts)
 Fuel 189.5 liters (50 US Gallons)
 Hydraulic Oil 215 liters (56.8 US Gallons)
 Brake Cooling Tank 65 liters (17.17 US Gallons)

TRANSMISSION

Type 4F/4R Speed 32,000 Series Power Shift
 Maximum Speeds
 1. 4.2 km/h (2.6 mph)
 2. 9 km/h (5.6 mph)
 3. 20 km/h (12.5 mph)
 4. 27 km/h (17 mph)

BRAKE

Hydraulic Power Oil Immersed disc brakes

AXLES

Drive/Steer

Kessler Outboard
 Planetary 4 Wheel Drive

HYDRAULIC SYSTEM

Pump Tandem Gear Type System
 Full Load Sense Steering Circuit
 Modular Control Valve c/w Tilt Lock System

TIRES

Drive/Steer

18:00 x 25R

ELECTRICAL SYSTEM

Volts 12
 Alternator 100 Amp.

STANDARD EQUIPMENT

- 4F/4R Speed 32,000 Series Transmission
- Electric Column Shift
- Tilt & Telescopic Steering Console
- Hydrostatic Power Load Sense Steering
- Safety Start
- Dry Type Air Cleaner
- Retractable Seat Belts
- Height Adjustable Seat c/w Arm Rests
- Engine Temp
- Engine Oil Pressure
- Fuel Level
- Water Temp.
- Power Brakes
- Air Ride Swivel Seat
- F.O.P.S. Cab
- Hour meter
- Circuit Breakers
- Block Heater
- Heavy Duty Battery
- Anti-Freeze -40°C
- Horn
- Four Work Lights
- Directional signals
- Marker lights
- Reverse lights
- Brake lights
- Transmission De Clutch
- 14" C-Thru Mast
- 60" Shaft Carriage
- 48" Forks
- Differential Lock
- Load Lifter Touch Screen Display

OPTIONAL EQUIPMENT

- Mirrors
- Windshield Washer Kit
- Air Conditioning
- Cold Weather Package
- Exhaust Purifier
- High Air intake
- Cyclonic Pre-Cleaner
- Lift Circuit Cushion Accumulator
- Pintle Hook
- Fork Positioners
- Load Grapples
- Hydraulic Bucket
- Full Range of Attachments
- Marine Negative Lift Masts

This information contained herein is general in nature and not intended for specific application purpose. Load Lifter reserves the right to make changes in specifications, make improvements, or discontinue manufacture at any time without notice or obligation.



LOAD LIFTER MANUFACTURING LTD.
 3 Anderson Blvd., Stouffville, Ontario, Canada, L4A 7X4
 Tel. 905-642-9756, Fax. 905-640-1437, www.load-liftermfg.com, info@load-liftermfg.com