

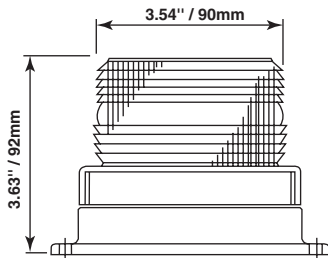
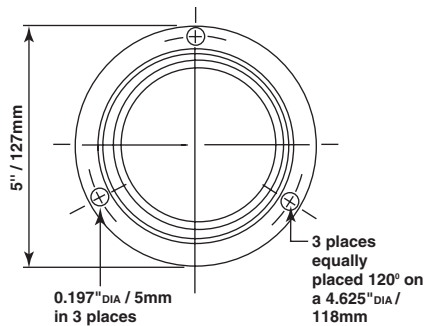


# WESTERN MATERIALS HANDLING & EQUIPMENT LTD

## FEATURED PRODUCTS

### METEORLITE® STROBES

- Screw-off polycarbonate lens
- ABS mounting base
- O-Ring sealed for maximum weatherproofing
- Metal mounting ring



### METEORLITE® 1 STROBE

- 1 JOULE
- 60 ± 10 single fpm
- Current drain .25AMP max
- Field replaceable xenon flash tube

SMH #	DESCRIPTION	PRICE
SY360012	12VDC	
SY360024	24VDC	
SY360036	36VDC	
SY360048	48VDC	
SY360120-*LC	120VAC, line cord	
SY360240	240VAC	

### METEORLITE® 2 STROBE

- 1 JOULE
- 60 ± 10 single FPM
- Current drain .25AMP max
- Field replaceable xenon flash tube

SMH #	DESCRIPTION	PRICE
SY360080	12-80VDC	CE
SY361100	12-72VDC	CE

### METEORLITE® 3 FLASHER

- 20 MEAN CANDLEPOWER
- 65 ± 10 single FPM
- Current drain 2AMP
- Field replaceable incandescent bulb

SMH #	DESCRIPTION	PRICE
SY360302	12-24VDC	
SY360304	36-48VDC	

SML0304.10DLR

*Be Part Of It.*

#### CALGARY:

7805 - 46 Street S.E.  
Calgary, AB T2C 2Y5  
TEL: 403-236-0305  
FAX: 403-236-8835

#### EDMONTON:

5927 - 86 Street  
Edmonton, AB T6E 2X4  
TEL: 780-465-6417  
FAX: 780-466-8278

#### LETHBRIDGE:

#2 - 4002-9th Ave North  
Lethbridge, AB T1H 6T8  
TEL: 403-329-8644  
FAX: 403-329-8258

#### MEDICINE HAT:

Bay 1 1751 30th St. S.W.  
Medicine Hat, AB T1B 3N5  
TEL: 403-527-5400  
FAX: 403-526-9282

#### GRANDE PRAIRIE:

11520-97 Avenue  
Grande Prairie, AB T8V 6R8  
TEL: 780-539-4669  
FAX: 780-539-4559

#### RED DEER:

#1, 7880 - 48 Avenue  
Red Deer, AB T4P 2B2  
TEL: 403-341-6670  
FAX: 403-341-6781