

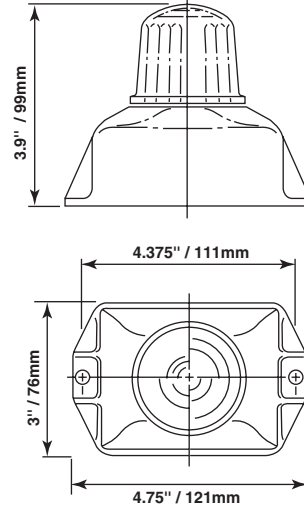


WESTERN MATERIALS HANDLING & EQUIPMENT LTD

FEATURED PRODUCTS

METEORLITE® 7 STROBE

- 3joule
- 60 ± 10 single fpm
- Current drain .4amp max
- Field replaceable xenon flash tube
- Screw-off polycarbonate lens
- Polycarbonate mounting base
- O-Ring sealed for maximum weatherproofing



SMH #	DESCRIPTION	PRICE
SY537000	12-72vdc	
SY537000E	Epoxy filled base	
SY537000S	Silicone filled base	

Meteorlite® 7 available in: Amber -A, Blue -B, Clear -C, Green -G, and Red -R

METEORLITE® 24 FLASHER & METEORLITE® 25 STROBE

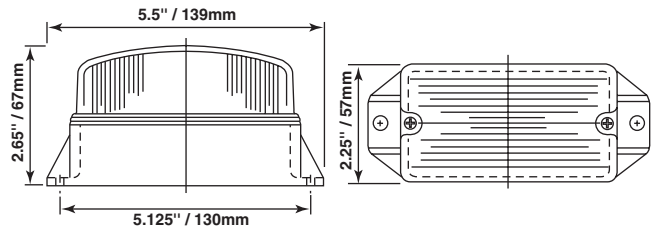
- Polycarbonate lens
- Polycarbonate mounting base
- O-Ring sealed for maximum weatherproofing

24 FLASHER

- 20mean candlepower
- 65 ± 10 single fpm
- Current drain 2.5amp
- Field replaceable incandescent bulb

25 STROBE

- 3joule
- 60 ± 10 single fpm
- Field replaceable xenon flash tube



SMH #	DESCRIPTION	PRICE	SMH #	DESCRIPTION	PRICE
SY367302	12-24vdc		SY367000	12-72vdc	
SY367304	36-48vdc				

SML0304.12DLR

Be Part Of It.

CALGARY:

7805 - 46 Street S.E.
Calgary, AB T2C 2Y5
TEL: 403-236-0305
FAX: 403-236-8835

EDMONTON:

5927 - 86 Street
Edmonton, AB T6E 2X4
TEL: 780-465-6417
FAX: 780-466-8278

LETHBRIDGE:

#2 - 4002-9th Ave North
Lethbridge, AB T1H 6T8
TEL: 403-329-8644
FAX: 403-329-8258

MEDICINE HAT:

Bay 1 1751 30th St. S.W.
Medicine Hat, AB T1B 3N5
TEL: 403-527-5400
FAX: 403-526-9282

GRANDE PRAIRIE:

11520-97 Avenue
Grande Prairie, AB T8V 6R8
TEL: 780-539-4669
FAX: 780-539-4559

RED DEER:

#1, 7880 - 48 Avenue
Red Deer, AB T4P 2B2
TEL: 403-341-6670
FAX: 403-341-6781